

DE-X 200 CD / DE-X 200 CDQ Trimless In-Wall Speaker with Defined Dispersion Angle

Description

This trimless high-end built-in speaker with a defined dispersion angle of 80° has been developed as a front speaker (L, R, center) for home audio systems and media spaces.

The 6.5" low-mid driver is equipped with a coaxial 1" tweeter plus waveguide in front, which ensures controlled sound dispersion and natural sound reproduction, even at high levels. Due to its directivity, the DE-X 200 CD can reproduce speech very clearly even in rooms with long reverberation times.

The DE-X 200 CD is comprised of three parts. First, the elegant installation frame is mounted in the ceiling or wall. The speaker unit and the magnetic front grille are then installed. This enables reliable installation and retrofitting, even for complicated installation scenarios.

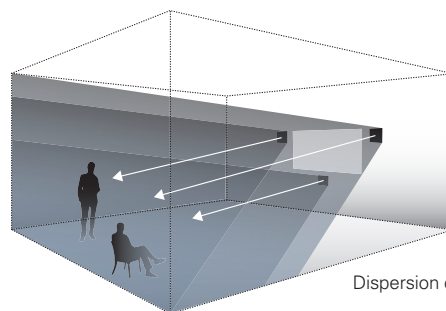
In spaces with different interior designs, the DE-X 200 CD can be combined with the DE 200 CD and FZ 180 CD models to create homogeneous sound systems.

Special Features

- Very unobtrusive appearance (only the flush-mounted front grille is visible)
- 2-way system with CD characteristic
- 80° dispersion
- High speech intelligibility
- 6,5" woofer + 1" tweeter waveguide
- 120 watts power capacity
- Very linear frequency response
- Small dimensions and installation depth
- Round or square
- Moisture proof

Fields of Application

- Conference rooms
- Home audio
- Gastronomy, hotels
- Shops, sales rooms
- Surround systems



Dispersion characteristic CD Speaker
(left, right, centre)

DE-X 200 CD / DE-X 200 CDQ Trimless In-Wall Speaker with Defined Dispersion Angle

Technical Data

Principle	2-way speaker with CD characteristic
Components	6,5" woofer + 1" tweeter waveguide
Frequency range	54 Hz – 21 kHz
Impedance	8 ohms
Power capacity	60 watts RMS, 120 watts programm
Sensitivity	88 dB SPL (1 W@1 m), half-space (flush-mounted)
Maximum SPL	109 dB @ 1 m
Nominal dispersion	80°
Front grille	Precision steel grille with magnetic fastening, adjustable for flush-mounting
Front grille size	DE-X 200 CD: Ø 170 mm DE-X 200 CDQ: 170 x 170 mm
Cutout size	DE-X 200 CD: Ø 176 mm DE-X 200 CDQ: 176 x 176 mm
Wall / ceiling thickness	8 ... 30 mm
Installation depth	100 mm
Material	Precision steel assembly frame and grille, powder-coated
Weight	2.1 kg
Connectors	Screw type terminals, pluggable
Warranty	5 years

Model

Order No.

Version

DE-X 200 CD White	0340-0017	Round, RAL 9016
DE-X 200 CDQ White	0340-0018	Square, RAL 9016

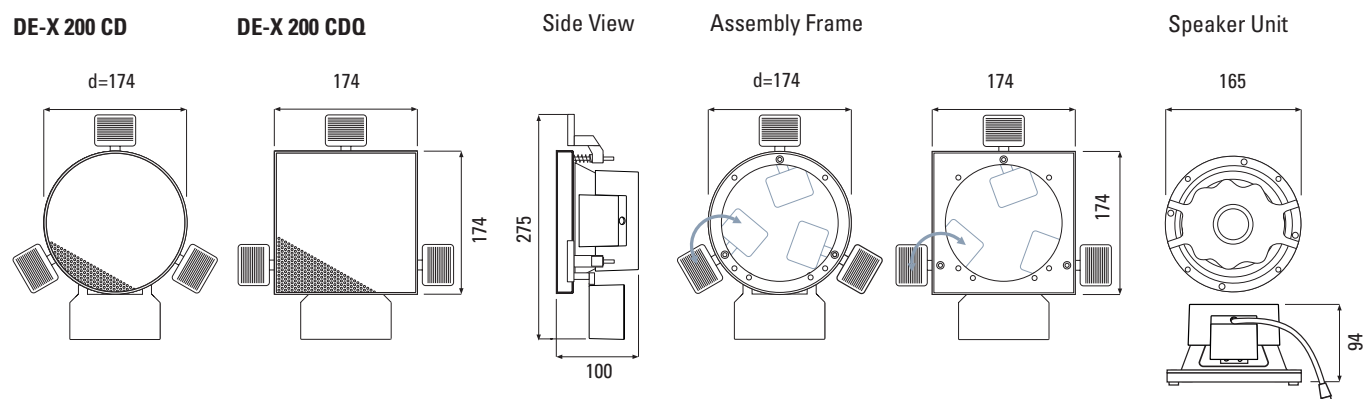
Other colours and versions on request.








DE-X 200 CD without grille

DE-X 200 CDQ without grille

Dimensions



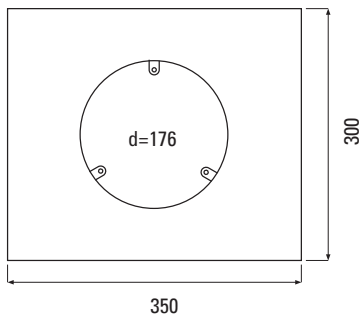
DE-X 200 CD / DE-X 200 CDQ Trimless In-Wall Speaker with Defined Dispersion Angle

Back Boxes	Order No.	Version
	EG 200 2203-0001	Back box for DE-X 200, all types, plastic, Dim.: 350 × 300 × 120 mm
	EG 200 Q 2204-0001	Back box for DE-X 200 Q, all types, plastic, Dim.: 350 × 300 × 120 mm
	EGB 200 2209-0001	Back box for concrete for DE-X 200, all types, plastic, Dim.: 350 × 300 × 148 mm, (incl. PVC rigid foam)
	EGB 200 Q 2210-0001	Back box for concrete for DE-X 200 Q, all types, plastic, Dim.: 350 × 300 × 148 mm, (incl. PVC rigid foam)
	DE-X Tool 0360-0001	Magnetic holder for effortless insertion and removal of front grille

Dimensions

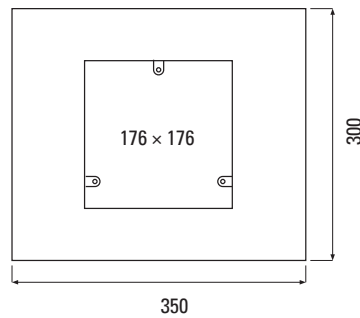
EG 200

Front

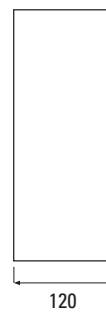


EG 200 Q

Front

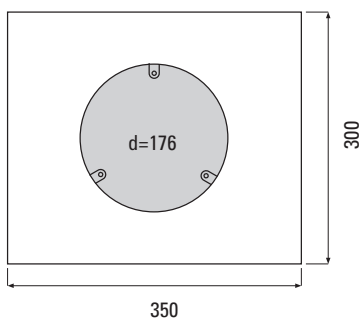


Side



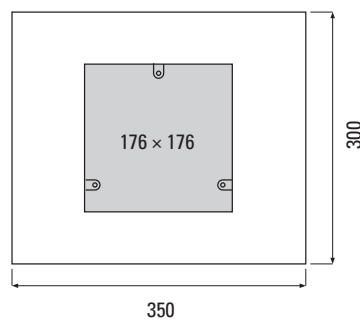
EGB 200

Front

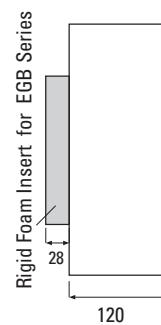


EGB 200 Q

Front



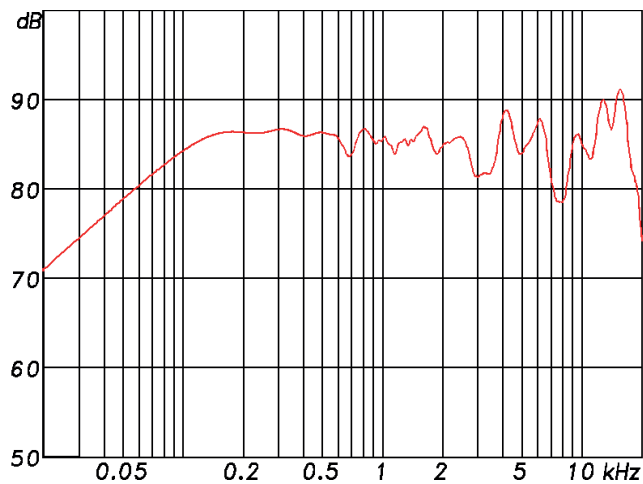
Side



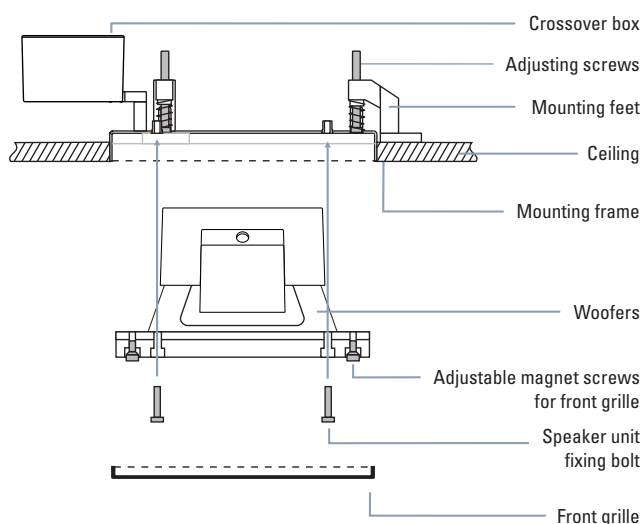
DE-X 200 CD / DE-X 200 CDQ Trimless In-Wall Speaker with Defined Dispersion Angle

Measuring Diagram

DE-X 200 CD Sens. 2,83V/1m: 88 dB (100-10k) 54 Hz - 20 kHz (-6 dB) half space



Assembly (ceiling)



Installation steps:

1. Slice cut out size in drywall surface (in solid walls / ceilings insert built-in cabinet of the EG series).
2. Insert assembly frame with mounting feet and swivel mounting feet outwards.
3. To fasten, screw the quick-build screws through the wall into the mounting feet.
4. Adjust assembly frame with adjusting screws until flush, plaster and paint.
5. Connect and insert chassis.
6. Insert front grille and, where necessary, readjust the height-adjustable holding magnets.