

DE-X 200 LP / DE-X 200 LPQ In-Wall / In-Ceiling Speaker With 48 mm Mounting Depth

Description

With a very shallow mounting depth of just 48 mm, the trimless DE-X 200 LP is specifically designed for suspended drywall ceilings and walls with little space for installing speakers. With two 3" low-mid woofers and a 25 mm neodymium dome tweeter, the two-way system has a broad frequency spectrum and enables speech and music to be reproduced pleasantly and clearly.

The DE-X 200 LP is comprised of three parts. First, the elegant installation frame is mounted in the ceiling or wall. The speaker unit and the magnetic front grille are then installed. This enables reliable installation and retrofitting, even for complicated installation scenarios.

Special Features

- 2-way system
- Very low mounting depth: 48 mm
- 2 × 3" woofers + 1" dome tweeter
- 80 watts power capacity
- 8 ohms and 100V versions
- Round or square
- Moisture proof

Fields of Application

- Conference rooms
- Exhibitions, trade fairs
- Gastronomy, hotels
- Home audio
- Media rooms
- Shops, sales rooms
- Surround systems

DE-X 200 LP / DE-X 200 LPQ In-Wall / In-Ceiling Speaker With 48 mm Mounting Depth

Technical Data

Principle	2-way speaker with internal crossover
Components	2 × 3" drivers + 1" dome tweeter
Frequency range	75 Hz – 21 kHz
Impedance	8 ohms
Power capacity	40 watts RMS, 80 watts program
Sensitivity	85 dB SPL (1 W @ 1 m), half-space (flush-mounted)
Maximum SPL	104 dB @ 1 m, 100 V version: 100 dB @ 1 m
Nominal dispersion	140°
Front grille	Precision steel grille with magnetic fastening, adjustable for flush-mounting
Dimensions	DE-X 200 LP: Ø 170 mm DE-X 200 LPQ: 170 × 170 mm
Cutout size	DE-X 200 LP: Ø 176 mm DE-X 200 LPQ: 176 × 176 mm
Wall / ceiling thickness	8 ... 30 mm
Material	Precision steel assembly frame and grille, powder-coated
Installation depth	48 mm
Weight	1.2 kg
Connectors	Screw type terminals, pluggable
Warranty	5 years

Model	Order No.	Version
DE-X 200 LP White	0340-0011	Round, RAL 9016
DE-X 200 LPT White	0340-0012	Round, 100 V version, Power 7.5/15/30 watts
DE-X 200 LPQ White	0340-0013	Square, RAL 9016
DE-X 200 LPQT White	0340-0014	Square, 100 V version, Power 7.5/15/30 watts

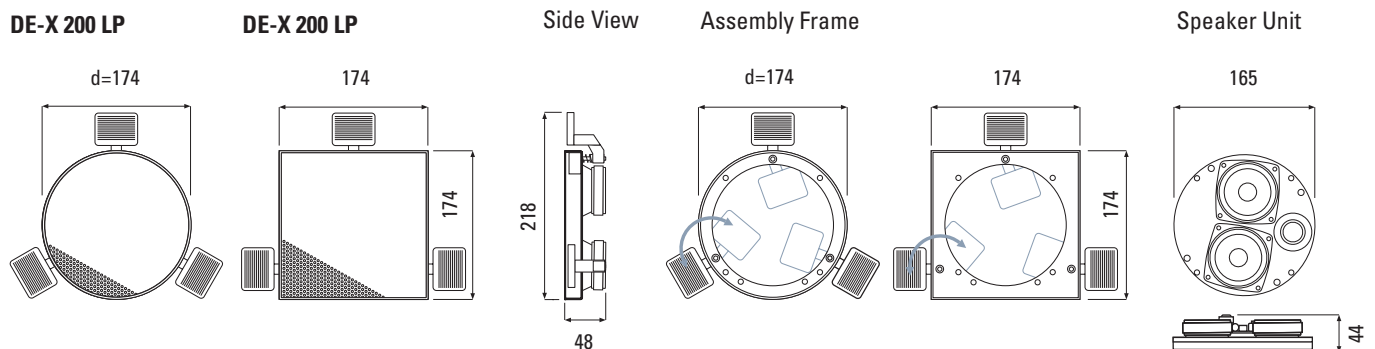
Other colours and versions on request.








DE-X 200 LP without grille

DE-X 200 LPQ without grille

Dimensions



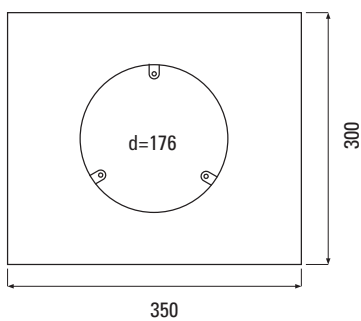
DE-X 200 LP / DE-X 200 LPQ In-Wall / In-Ceiling Speaker With 48 mm Mounting Depth

Back Boxes	Order No.	Version
	EG 200 2203-0001	Back box for DE-X 200, all types, plastic, Dim.: 350 × 300 × 120 mm
	EG 200 Q 2204-0001	Back box for DE-X 200 Q, all types, plastic, Dim.: 350 × 300 × 120 mm
	EGB 200 2209-0001	Back box for concrete for DE-X 200, all types, plastic, Dim.: 350 × 300 × 148 mm, (incl. PVC rigid foam)
	EGB 200 Q 2210-0001	Back box for concrete for DE-X 200 Q, all types, plastic, Dim.: 350 × 300 × 148 mm, (incl. PVC rigid foam)
	DE-X Tool 0360-0001	Magnetic holder for effortless insertion and removal of front grille

Dimensions

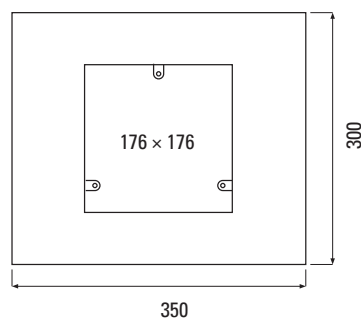
EG 200

Front



EG 200 Q

Front

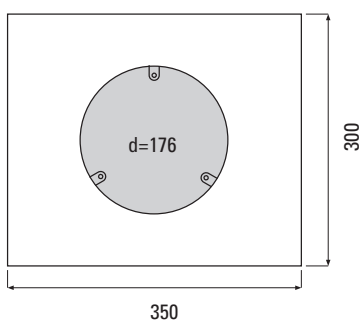


Side



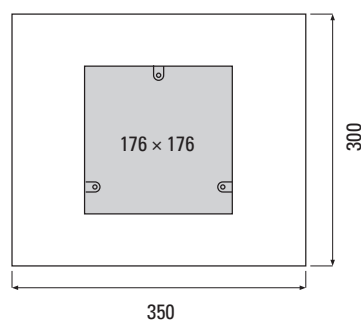
EGB 200

Front

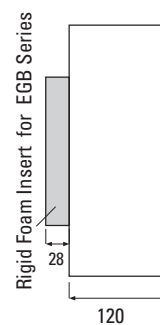


EGB 200 Q

Front



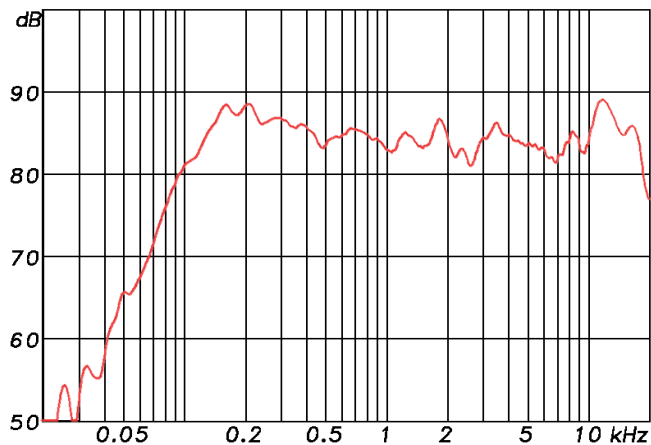
Side



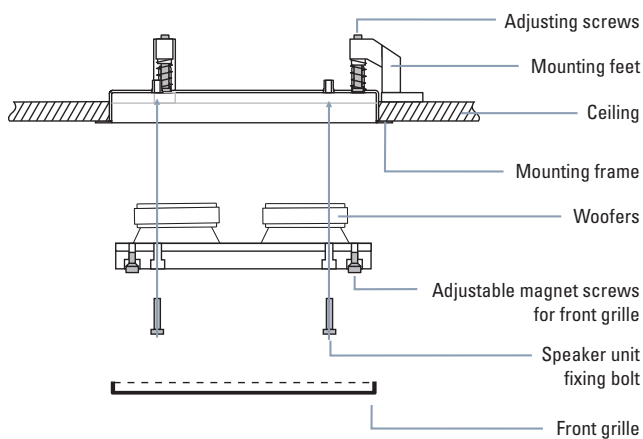
DE-X 200 LP / DE-X 200 LPQ In-Wall / In-Ceiling Speaker With 48 mm Mounting Depth

Measuring Diagram

DE-X 200 LP Sens. 2,83V/1m: 85,5 db (100-10k) 53 Hz - 20 kHz (-6 dB) half space



Assembly (ceiling)



Installation steps:

1. Slice cut out size in drywall surface (in solid walls / ceilings insert built-in cabinet of the EG series).
2. Insert assembly frame with mounting feet and swivel mounting feet outwards.
3. To fasten, screw the quick-build screws through the wall into the mounting feet.
4. Adjust assembly frame with adjusting screws until flush, plaster and paint.
5. Connect and insert chassis.
6. Insert front grille and, where necessary, readjust the height-adjustable holding magnets.