

## DE Plan 200 ST inside for Invisible Integration Into Furniture and Wall Panels

### Description

The DE Plan 200 ST<sup>®</sup> is a special version of DE Plan 200 ST designed to be invisibly installed in furniture and wall panels. The speaker is glued onto the backside of furniture or panels made of wood, MDF or similar materials and directly excites through these surfaces. To do this, the recessed mounting area is milled into the rear surface to a wall thickness of 3 mm. The surface is activated without an intermediate membrane, which makes DE Plan 200 ST inside extremely efficient and gives it an extensive, linear frequency range.

de:shape<sup>®</sup>: the membrane of the DE Plan 200 ST inside has an optimized contour with a calculated distribution of distance between the edge and the high frequency driver (patent pending). This results in unprecedented audio performance and extremely accurate sound reproduction.

The elaborately tuned crossover ensures a warm, transparent acoustic pattern. The DE Plan 200 ST is ideally suited to small rooms or zones where only one speaker is required.

A wide dispersion angle of 180° ensures that sound is distributed homogeneously throughout the room.

The reproduction characteristics depend very much on the material in which the speakers are installed and the acoustics of each room. As a result, our system controllers, DSP power amplifiers or at least a multiband equalizer should always be used to achieve the best sound pattern.



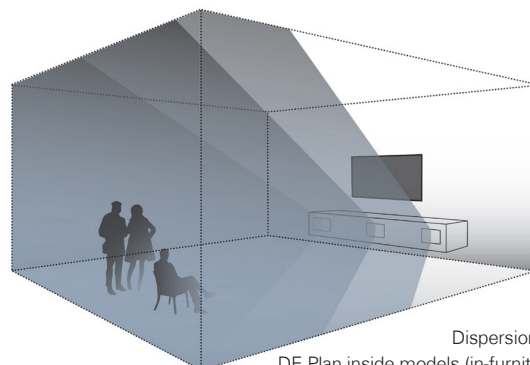
DE plan<sup>®</sup>  
inside

### Key Features

- Invisible stereo flat transducer
- 180° nominal dispersion
- Very linear frequency range
- Small mounting dimension: (300 × 240 mm)
- 6" woofers + 2 × 1" high frequency drivers
- 60 watts power capacity

### Fields of Application

- Home Audio
- Surround systems
- Media rooms
- Gastronomy, hotels
- Shops, sales rooms
- Exhibitions, trade fairs
- Museums



Dispersion Characteristic  
DE Plan inside models (in-furniture installation)

## DE Plan 200 ST inside for Invisible Integration Into Furniture and Wall Panels

### Technical Data

Principle	2-way stereo flat transducer
Components	6" woofers + 2 x 1" high frequency drivers
Frequency range	90 Hz – 20 kHz (mounted on a MDF panel with 3 mm thickness in front of the transducer)
Impedance	8 ohms
Power capacity	60 watts program
Sensitivity	81 dB (1 W @ 1 m), depending on the mounting materials
Maximum SPL	99 dB @ 1 m
Nominal dispersion (H x V)	180°
Dimensions	300 x 240 x 72 mm
Recess size	304 x 244 mm
Installation depth	72 mm
Weight	2.8 kg
Warranty	5 years

### Model

### Order No.

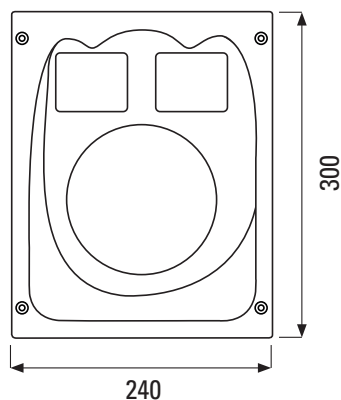
### Version

<b>DE Plan 200 ST inside</b>	0414-0001	Complete with 2C adhesive
------------------------------	-----------	---------------------------

### Dimensions

#### DE Plan 200 ST inside


Front



Side



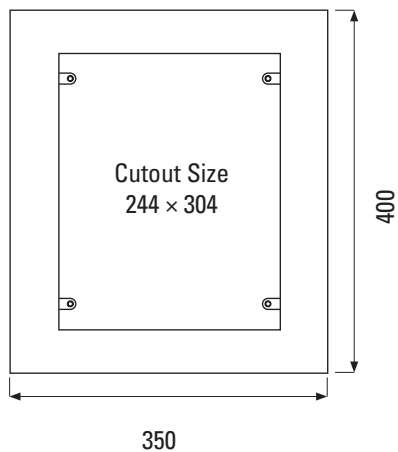
## DE Plan 200 ST inside for Invisible Integration Into Furniture and Wall Panels

Back Box	Order No.	Version
	EG Plan 200 2301-0001	Back box, plastic, dim.: 400 × 350 × 100 mm

### Dimensions

#### EG Plan 200

Front



Side

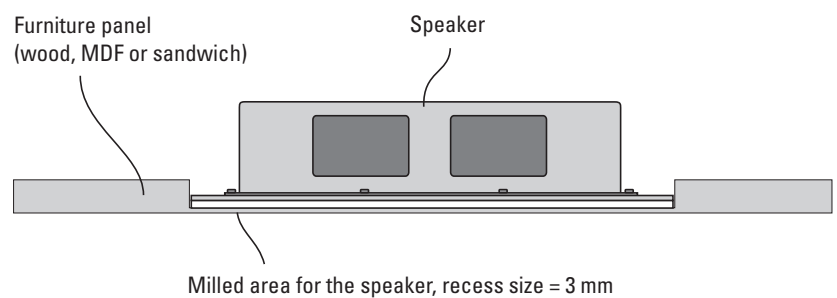


### Assembly with DE Plan 400 inside



Application of the 2C adhesive seam Please contact us if you have any questions.

#### Side View: Installed Speaker



## DE Plan 200 ST inside for Invisible Integration Into Furniture and Wall Panels

### Diagram

---

DE Plan 200 ST inside Sens. @ 2, 83V/1m

