



DE Plan 200 ST Invisible Stereo Speaker

DEplan®

Description

The DE Plan 200 ST is a compact, stereo flat transducer designed to connect to amplifiers with stereo output in multi-room systems. Once it is installed, the transducer remains concealed in walls and ceilings. The DE Plan 200 ST is ideally suited to small rooms or zones where only one speaker is required. A wide dispersion angle of 180° ensures that sound is distributed homogeneously throughout the room.

de:shape®: the membrane of the DE Plan 200 ST has an optimized contour with a calculated distribution of distance between the edge and the high frequency driver (patent pending). This results in unprecedented audio performance and extremely accurate sound reproduction.

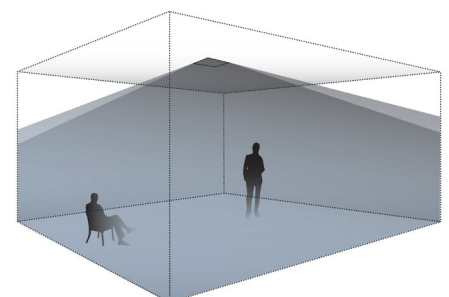
The DE Plan 200 ST is mounted facing outwards in hollow non-concrete walls and ceilings. It can also be installed in solid walls and concrete ceilings using an EGB Plan 200 back box. First, the speaker is mounted, then the glass fiber lining included with the package is placed around the membrane and the area can then be plastered and painted.

Key Features

- Invisible stereo flat transducer
- 180° nominal dispersion
- Very linear frequency range
- Small mounting dimension: 300 × 240 mm
- 6" woofers + 2 × 1" high frequency drivers
- 2 × 60 watts power capacity, 2 × 8 ohms

Fields of Application

- Exhibitions, trade fairs
- Gastronomy, hotels
- Home audio
- Museums
- Shops, sales rooms
- Surround systems



Dispersion Characteristic
DE Plan ST Speaker (In-Ceiling Installation)

DE Plan 200 ST

Invisible Stereo Speaker

Technical Data

Principle	2-way stereo flat transducer
Components	6" woofer + 2 x 1" high frequency driver
Frequency range	90 Hz – 20 kHz (2 x paint-coated)
Impedance	2 x 8 ohms
Power capacity	2 x 30 watts RMS, 2 x 60 watts program
Sensitivity	83 dB (1 W @ 1 m) half-space (flush-mounted)
Maximum SPL	101 dB @ 1 m
Nominal dispersion (H x V)	180° conical
Dimensions (H x W x D)	300 x 240 x 72 mm incl. mounting feet: 300 x 326 x 72 mm
Cut out size	304 x 244 mm
Wall / ceiling thickness	10 – 35 mm (inkl. back box)
Installation depth	72 mm
Weight	3.1 kg
Connectors	Screw-type terminals, pluggable
Warranty	5 years

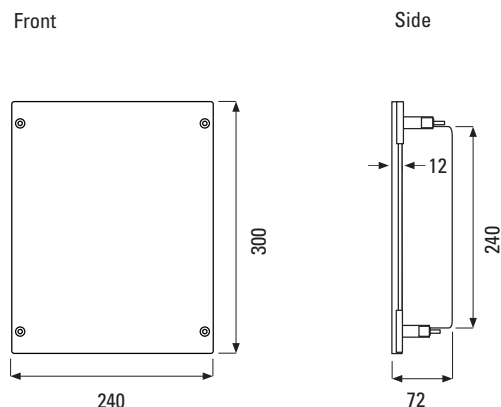
Model	Order No.	Version
DE Plan 200 ST	0401-0003	Complete incl. assembly frame glass fiber fabric



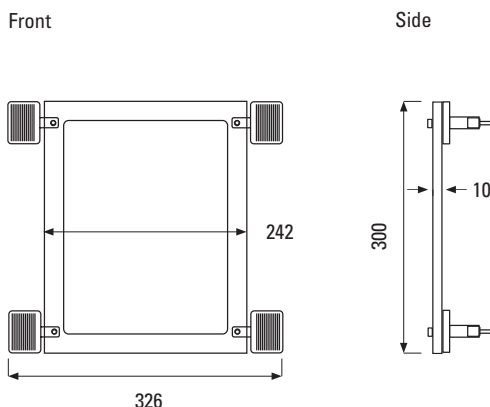
DE Plan 200 ST without membrane

Dimensions




DE Plan 200 ST



Assembly Frame MR 200

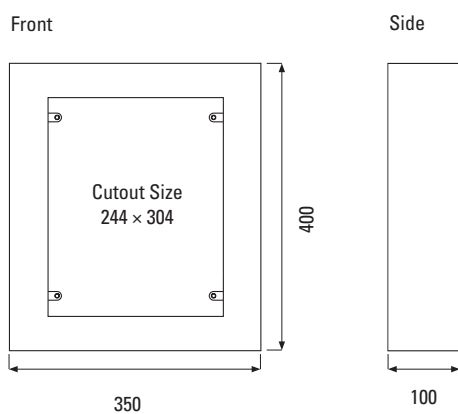


DE Plan 200 ST Invisible Stereo Speaker

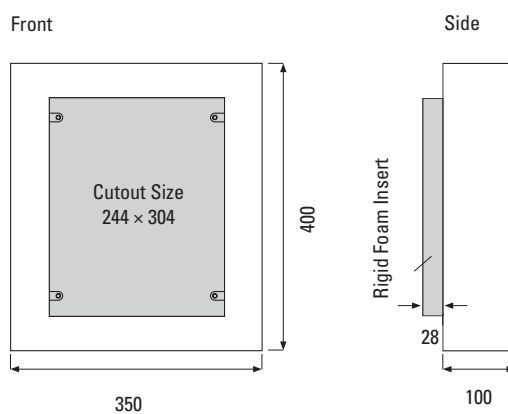
Back Box	Order No.	Version
	EG Plan 200 2301-0001	Back box, plastic, dim.: 400 × 350 × 100 mm
	EGB Plan 200 2305-0001	Back box for concrete, plastic, dim.: 400 × 350 × 128 mm, (inkl. PVC rigid foam)
	MR 200 0401-1007	Spare part assembly frame for DE Plan 200

Dimensions

EG Plan 200



EGB Plan 200



DE Plan 200 ST Invisible Stereo Speaker

Measuring Diagram

DE Plan 200 ST Sens. @ 2, 83V/1m

