



DE Plan 200 Invisible Speaker

DEplan®

Description

The DE Plan 200 is a compact, 2-way flat transducer with one 6" woofer and one high frequency exciter which, once installed, remains completely invisible in walls or ceilings. As a result of the patented constructional principle of the DE Plan series, with which it is possible to achieve a homogeneous deflection of the flat membrane, the DE Plan 200 has, despite small dimensions, a very wide frequency range with good frequency response.

de:shape: the membrane of the DE Plan 200 has an optimized contour with a calculated distribution of distance between the edge and the high frequency driver (patent pending).

This results in unprecedented audio performance and extremely accurate sound reproduction.

The elaborately tuned crossover ensures a warm, transparent acoustic pattern. The DE Plan 200 offers high-quality music and precise speech reproduction and is hence equally suited for home audio as well as media rooms and gastronomy.

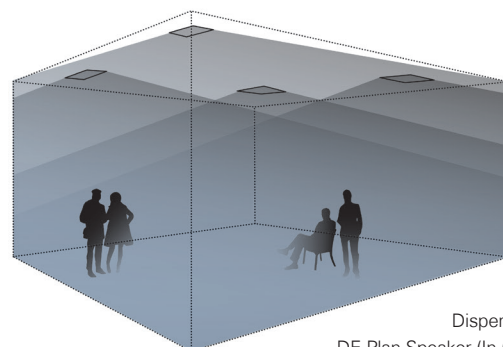
The wide dispersion angle of 180° permits, with a few speakers, a completely homogeneous sound distribution in the room. The DE Plan 200 is mounted from the front in hollow dry lining walls and ceilings. In solid walls or concrete ceilings the EGB 200 Plan back box is installed beforehand. First the transducer is mounted, then the membrane is lined with the provided glass fiber fabric, plastered and coated with wall paint.

Key Features

- Invisible flat transducer
- 180° dispersion
- Very linear frequency range
- Small mounting dimension (300 × 240 mm)
- 6" woofer + 1" high frequency driver
- 120 watts power capacity
- 8 ohms or 100 V versions

Fields of Application

- Home Audio
- Surround systems
- Media rooms
- Gastronomy, hotels
- Shops, sales rooms
- Exhibitions, trade fairs
- Museums



Dispersion Characteristic
DE Plan Speaker (In-Ceiling Installation)

DE Plan 200 Invisible Speaker

Technical Data

Principle	2-way flat transducer
Components	6" woofer + 1" high frequency driver
Frequency range	70 Hz – 20 kHz (2 × paint-coated)
Impedance	8 ohms
Power capacity	60 watts RMS, 120 watts program
Sensitivity	83 dB (1 W @ 1 m) half-space (flush-mounted)
Maximum SPL	101 dB @ 1 m
Nominal dispersion (H × V)	180° conical
Dimensions (H × W × D)	300 × 240 × 72 mm incl. mounting feet: 300 × 326 × 72 mm
Cutout size	304 × 244 mm
Wall /ceiling thickness	10 – 35 mm (inkl. back box)
Installation depth	72 mm
Weight	3 kg, 100V version 3.4 kg
Connectors	Screw-type terminals, pluggable
Warranty	5 years

Model	Order No.	Version
DE Plan 200	0401-0003	Complete incl. assembly frame, glass fiber fabric and adhesive
DE Plan 200 T	0401-0004	100 V version, power 7.5/15/30 watts

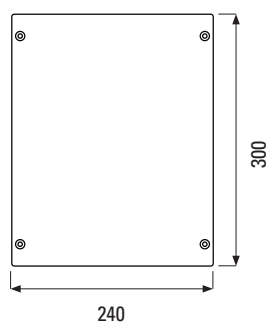


DE Plan 200 without membrane

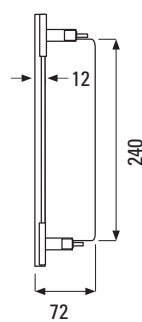
Dimensions

DE Plan 200

Front

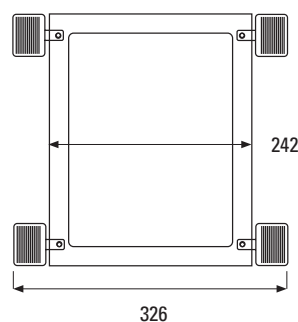


Side

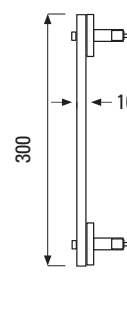


Assembly Frame MR 200




Front



Side



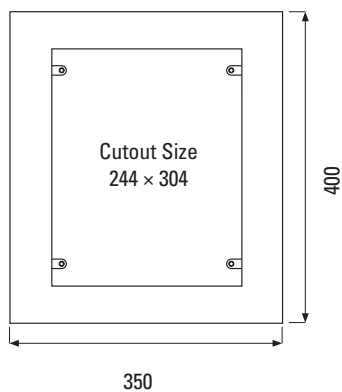
DE Plan 200 Invisible Speaker

Back Box	Order No.	Version
	EG Plan 200 2301-0001	Back box, plastic, dim.: 400 × 350 × 100 mm
	EGB Plan 200 2305-0001	Back box for concrete, plastic, dim.: 400 × 350 × 128 mm, (inkl. PVC rigid foam)
	MR 200 0401-1007	Spare part assembly frame for DE Plan 200

Dimensions

EG Plan 200

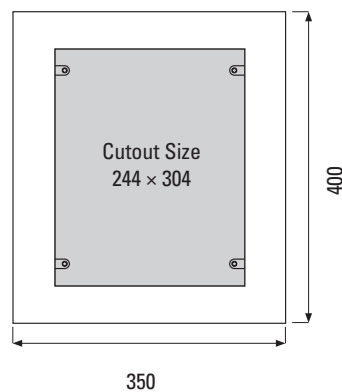
Front



Side

EGB Plan 200

Front



Side

DE Plan 200 Invisible Speaker

Diagram

DE Plan 200 Sens. @ 2, 83V/1m

