

DE Plan 400 Invisible Speaker

DEplan®

Description

The DE Plan 400 is a powerful, 2-way flat transducer with two 6"-woofer and one high frequency exciter which, once installed, remains completely invisible in walls or ceilings. The patented design concept of the DE Plan series enables the flat membrane to be homogeneously deflected. As a result, the DE Plan 400 has a very wide frequency range and excellent low frequency sound.

de:shape®: the membrane of the DE Plan 400 has an optimized contour with a calculated distribution of distance between the edge and the high frequency driver (patent pending). This results in unprecedented audio performance and extremely accurate sound reproduction.

Sophisticated crossover tuning means the DE Plan 400 gives a warm, clear sound and enables high-quality music and speech reproduction. As such, the DE Plan 400 is ideal for home audio systems, media rooms and the gastronomy sector. A wide dispersion angle of 180° means that sound is distributed homogeneously throughout the room with just a few speakers.

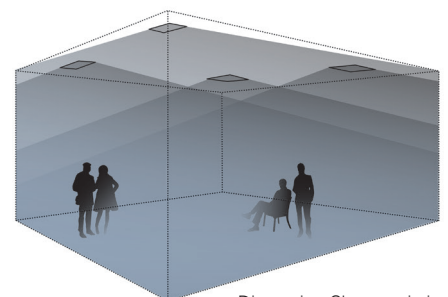
The DE Plan 400 is mounted facing outwards in hollow non-concrete walls and ceilings. It can also be installed in solid walls and concrete ceilings using an EGB Plan 400 back box. First, the speaker is mounted, then the glass fiber lining included with the package is placed around the membrane and the area can then be plastered and painted.

Key Features

- Invisible flat transducer
- 180° dispersion
- Very linear frequency response
- Small mounting dimensions: 420 × 300 mm
- 2 × 6" woofers + 1" high frequency driver
- 240 watts power capacity
- 8 ohms or 100 V versions

Fields of Application

- Exhibitions, trade fairs
- Gastronomy, hotels
- Home audio
- Museums
- Media rooms
- Shops, sales rooms
- Surround systems



Dispersion Characteristic
DE Plan 400 Speaker
(In-Ceiling Installation)

DE Plan 400 Invisible Speaker

Technical Data

Principle	2-way flat transducer
Components	2 × 6" woofers + 1" high frequency driver
Frequency range	46 Hz – 20 kHz (2 × paint-coated)
Impedance	8 ohms
Power capacity	120 watts RMS, 240 watts program
Sensitivity	84 db (1 W@1 m), half-space (flush-mounted)
Maximum SPL	106 dB @ 1 m 100 V Version: 101 dB @ 1 m
Nominal dispersion (H × V)	180° conical (-6 dB)
Dimensions	420 × 300 × 72 mm incl. mounting feet: 420 × 388 × 72 mm
Cutout size	424 × 304 mm
Wall / ceiling thickness	10 – 35 mm (incl. back box)
Installation depth	72 mm
Weight	3.9 kg
Connectors	Screw-type terminals, pluggable
Warranty	5 years

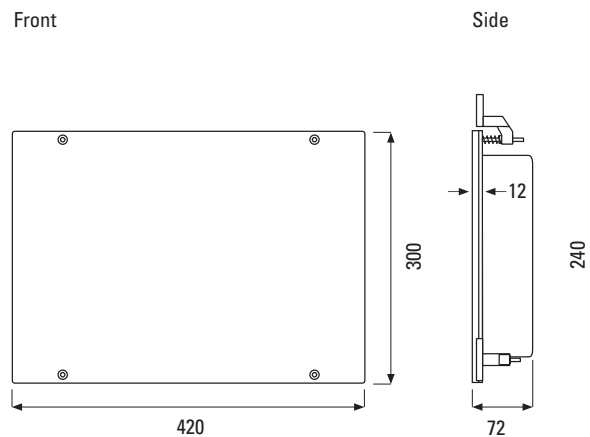
Model	Order No.	Version
DE Plan 400	0401-0003	Complete incl. assembly frame and glass fiber fabric
DE Plan 400 T	0401-0004	100 V version Power 15/30/60 watts



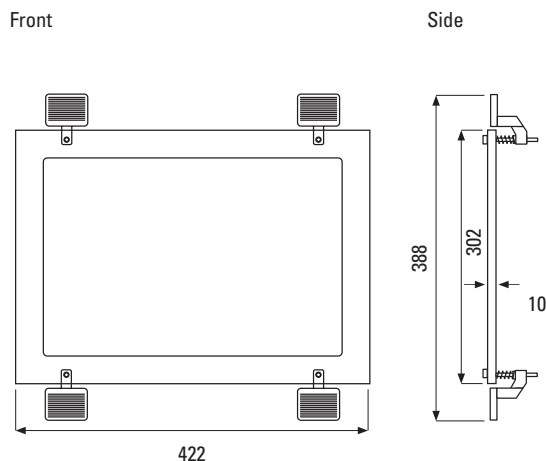
DE Plan 400 without membrane

Dimensions




DE Plan 400



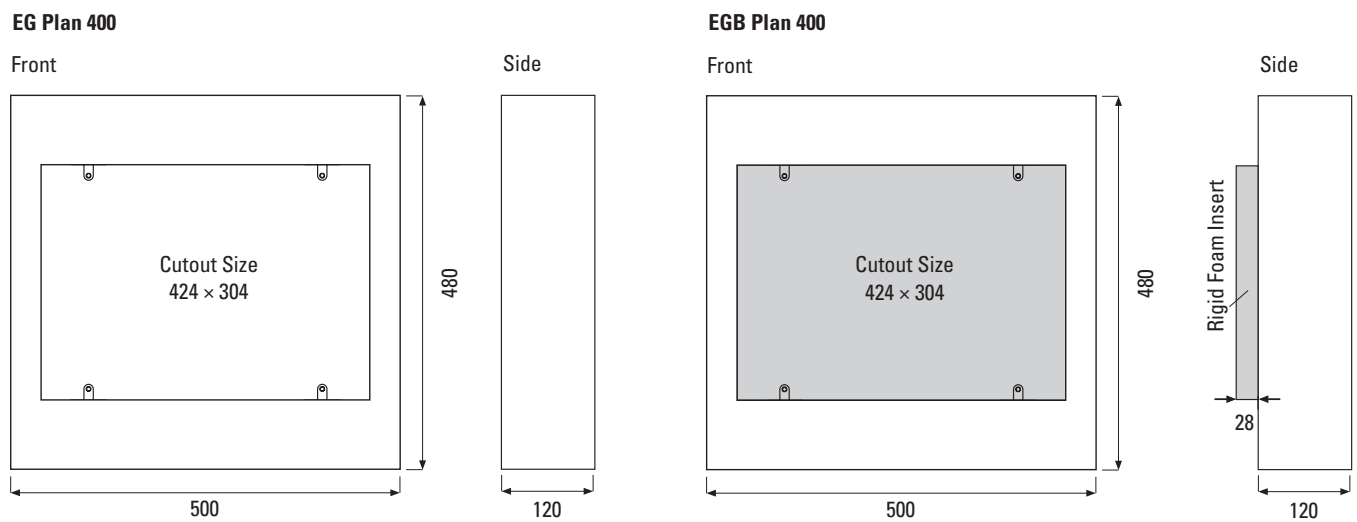
Assembly Frame MR 400



DE Plan 400 Invisible Speaker

Back Boxes	Order No.	Version	
	EG Plan 400	2302-0001	Back box, plastic, dim.: 500 × 480 × 120 mm
	EGB Plan 400	2306-0001	Back box for concrete, plastic, dim.: 500 × 480 × 148 mm (incl. PVC rigid foam)
	MR 400	0402-1007	Spare part assembly frame for DE Plan 400

Dimensions



DE Plan 400 Invisible Speaker

Measuring Diagram

DE Plan 400 Sens. @ 2, 83V/1m

