



FZ 180 Polar Cylindric Speaker with Wide Dispersion Angle

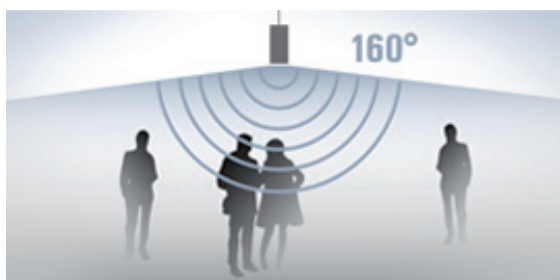


Description

The FZ 180 Polar is a cylindrical 2-way speaker designed to be suspended from ceilings. Its proven Polar® technology with passive radiator produces a consistently wide dispersion angle across the entire frequency range.

As a result, a small number of FZ 180 Polar speakers can be used to transmit speech and music very evenly and clearly. A long excursion 6.5" woofer and 1" neodymium dome tweeter ensure a broad frequency spectrum with exceptional linearity and dynamics.

The FZ 180 Polar can either be suspended from a ceiling or installed using our WH 180 I-bracket.



Dispersion characteristics

Key Features

- 2-way system with Polar technology
- 160° dispersion
- Perfect sound distribution with a small number of speakers
- Wide dispersion angle across the entire frequency range
- 6.5" woofer + 1" dome tweeter + 6.5" passive radiator
- 120 watts power capacity
- 8 ohms or 100 V versions
- Standard finish: white and black
- Suitable for humid rooms

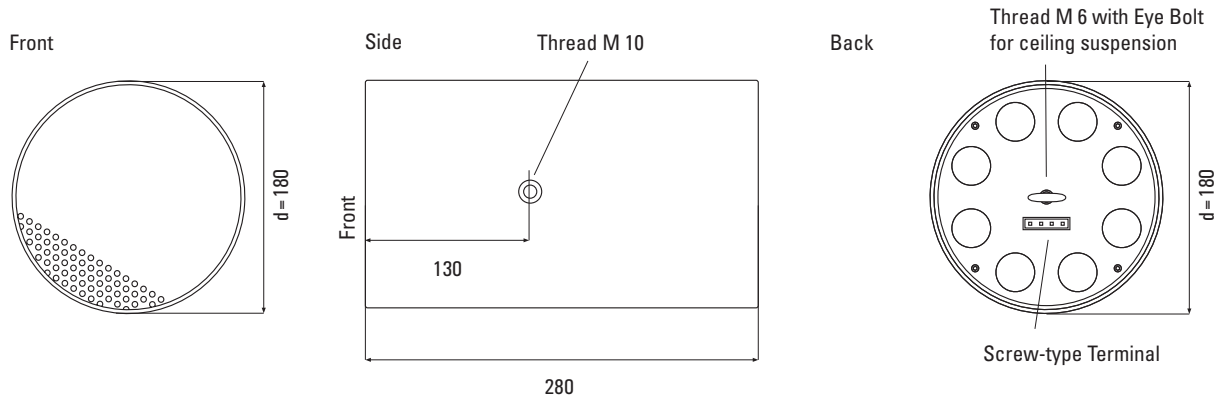
Fields of Application

- Home Audio
- Media rooms
- Gastronomy, hotels
- Conference rooms
- Shops, sales rooms
- Exhibitions, trade fairs
- Museums

FZ 180 Polar

Cylindric Speaker with Wide Dispersion Angle

Dimensions



Technical Data




Principle	2-way speaker with Polar technology and passive radiator
Components	6.5" woofer + 1" dome tweeter + 6.5" passive radiator
Frequency range	55 Hz – 20 kHz
Impedance	8 ohms
Power capacity	60 watts RMS, 120 watts program
Sensitivity	85 dB (1 W @ 1 m)
Maximum SPL	104 dB @ 1 m 100 V version: 100 dB @ 1 m
Nominal dispersion	160° (-6 dB up to 5 kHz)
Dimensions	$d = 180$ mm, $l = 280$ mm
Weight	3.8 kg
Fastening points	Suspension point at rear M 6 with eye bolt, threaded insert M 10 laterally for optional wall mount WH 180
Connectors	Pluggable screw-type terminals
Warranty	5 years

Model

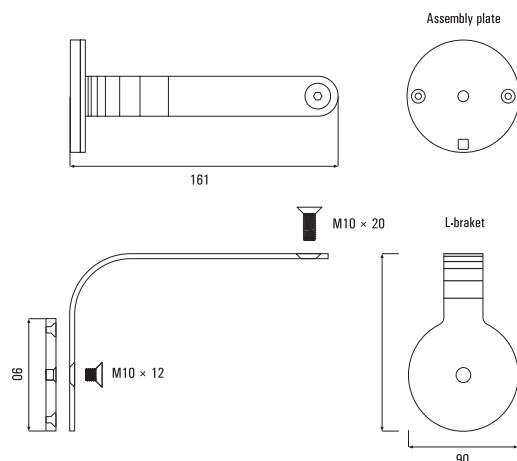
Model	Order-No.	Version
FZ 180 Polar Weiß	0603-0001	RAL 9016
FZ 180 Polar Schwarz	0603-0002	RAL 9005
FZ 180 T Polar Weiß	0603-0003	100 V versions
FZ 180 T Polar Schwarz	0603-0004	Power 7.5/15/30 watts

Other colours and versions on request.

Accessories

Accessories	Order-No.	Version
WH 180 White 	7109-0006	L-braket with assembly plate, rotatable/pivotable, incl. safety rope, RAL 9016
WH 180 Black 	7109-0007	L-braket with assembly plate, rotatable/pivotable, incl. safety rope, RAL 9005
SR 300-16 	7109-0008	Stainless steel rope for pendant mounting, length 3 m, thickness 1.6 mm, one side with loop

Dimensions Wall Mount



FZ 180 Polar Cylindric Speaker with Wide Dispersion Angle

Measuring Diagram

FZ 180 Polar Sens. 2,83V/1m: 85 dB (100 – 10k) 68 Hz – 20 kHz (-6 dB)

