



PA 8800 19" Multichannel Amplifier



Description

The PA 8800 is a sophisticated, class-D multi-channel power amplifier with eight channels and two sockets for different input modules. The three different models in this series are equipped with symmetrical line inputs, asymmetrical cinch inputs or an 8-channel Dante module, and can be expanded by adding a second input module. By combining two input modules, the power amplifier can be operated as a central amplifier unit with a mix of analog and digital signal sources. Ground Lift switch for each input channel pair plus dip switches for modifying input sensitivity on each channel enable the amplifier to be easily adjusted to different signal sources.

The PA 8800 circuits are designed to ensure outstanding sound quality and safety levels with minimum heat build-up. The generously proportioned, high-capacity mains adapter together with our new processor-controlled class-D power amplifier modules guarantee outstanding efficiency levels and enormous power reserves. The Automatic On/Off function (switchable for each channel) automatically switches inactive amplifier channels to an energy-saving Sleep mode. The power amplifier has an output rating of 8 × 800 watts at 2–4 ohms or 4 × 800 watts at 4–8 ohms in bridge mode.

The front features an LED for On/Standby, LEDs per each channel for Protect, Limit, Signal, Sleep and LED Bridge per each channel pair as well as gain controllers for each channel. To enable remote control, the amplifiers are equipped with an On/Off contact and VCA inputs with separate channels for external volume control.

All outputs can be controlled independently or in groups using our WP-V and RP-V volume controllers or the DV module via Up/Down contacts. Any fault in the power amplifier channels is signaled via the isolated fault contact.

Key Features

- 8-channel digital amplifier
- Three models with different input modules:
 - **PA 8800** with 8 × line IN symmetrical
 - **PA 8800 CINCH** with 8 × line IN cinch asymmetrical
 - **PA 8800 DANTE** with Dante interface
- 8 × 800 watts output power
- Second slot for additional input module
- VCA inputs per channel
- Switchable Automatic On/Off per channel
- On/Off- and Fault contact
- Switchable input Sensitivity +4/-6 dBu per channel
- Silent running regulated fans
- Switchable Ground Lift per input channel pair
- 2 U chassis, installation depth only 348 mm
- Optional:
 - **8×IN-SYM** input module 8 × line In symmetrical
 - **8×IN-CINCH** input module 8 × line In cinch asymmetrical
 - **DANTE 8×8** input module with 8-channel Dante interface
 - 100 V transformer
 - Volume control (wall-panel WP-V or rack-panel RP-V)
 - DV module for volume control via Up/Down contacts

Fields of Application

- Home audio
- Media rooms
- Conference rooms
- Shops, sales rooms
- Gastronomy
- Clubs, discotheques
- Concert halls, theatres
- Churches

PA 8800




19" Multichannel DSP Amplifier

Technical Data







| | |
|-------------------------|---|
| Inputs | 8 × Line IN sym./ 8 × Line IN cinch asym. / Dante 8×8 (depending on the model) |
| Nom. input/output level | +4/-6 dBu, switchable |
| Max. input/output level | +22 dBu |
| Input impedance | 20 kohms |
| Load impedance | ≥ 2 ohms, Bridge ≥ 4 ohms |
| Outputs | 8 × Speaker OUT up to 2 × 4 mm ² (screwtype terminals, pluggable) |
| Output power | |
| 2 ohms | 8 × 800 watts |
| 4 ohms | 8 × 800 watts |
| 8 ohms | 8 × 400 watts |
| Bridge | 4 × 1600 watts (4 – 8 ohms) |
| Frequency range | 15 Hz-22 kHz |
| Dynamic range | >100 dB |
| Displays | LED for ON/STANDBY; LEDs per channel for PROTECT, LIMIT, SIGNAL, SLEEP; LED BRIDGE per each channel pair |
| Controls | Gain control and power switch at front. Dip switches AUTO ON/STEADY ON and SENSITIVITY +4/-6 dBu per channel and dip switches PARALLEL and BRIDGE for each channel pair at back |
| Additional connectors | VCA inputs 0 -10 V for each channel (also for DV modules), floating Fault contact (N/O), Standby contact (N/O or N/C) |
| Cooling | Silent running regulated fans, air flow from front to back |
| Protective circuits | Inrush current limiter, peak limiter, current limiter and power limiter for each speaker output, short circuit and multilevel over-temperature protection for all internal channels |
| Power supply | 230 VAC |
| Mains connector | IEC connector |
| Power consumption | |
| Standby | < 0.5 watts |
| All channels SLEEP | 19 watts |
| All channels active | 165 watts |
| 1/8 th power maximum | 1026 watts |
| Max. power consumption | 1440 watts |
| Peak power | 9690 watts |
| Dimensions (B × H × T) | 19", 2 U, 483 × 88 × 348 mm |
| Weight | 18.8 kg |
| Warrenty | 5 years |

| Models | Order-No | Version |
|---------------|-----------|---|
| PA 8800 | 3106-0046 | 8 × line IN symmetrical with pluggable screwtype terminals |
| PA 8800 CINCH | 3106-0047 | 8 × line IN cinch asymmetrical with pluggable screwtype terminals |
| PA 8800 DANTE | 3106-0048 | Dante Interface, 2 × RJ-45 Ethernet (Primary/Secondary) |

Input Modules

| Input Modules | Order-No | Version |
|--|-----------|---|
| 8×IN-SYM  | 3108-0004 | 8-channel input module for the PA series/PA DSC series with symmetrical line inputs. The module features GROUND LIFT dip switches for each channel pair, enabling the amplifiers to be operated with grounded signal sources (internal) |
| 8×IN-CINCH  | 3108-0008 | 8-channel input module for the PA series/PA DSC series with asymmetrical cinch inputs. The module features GROUND LIFT dip switches for each channel pair, enabling the amplifiers to be operated with grounded signal sources (internal). |
| Dante 8x8  | 3108-0009 | 8-channel Dante input module for the PA series/ PA DSC series. The Dante interface features two RJ45 terminals for audio over Ethernet (primary/secondary). If the primary network connection fails, the module automatically switches to the secondary connection. |

Accessories

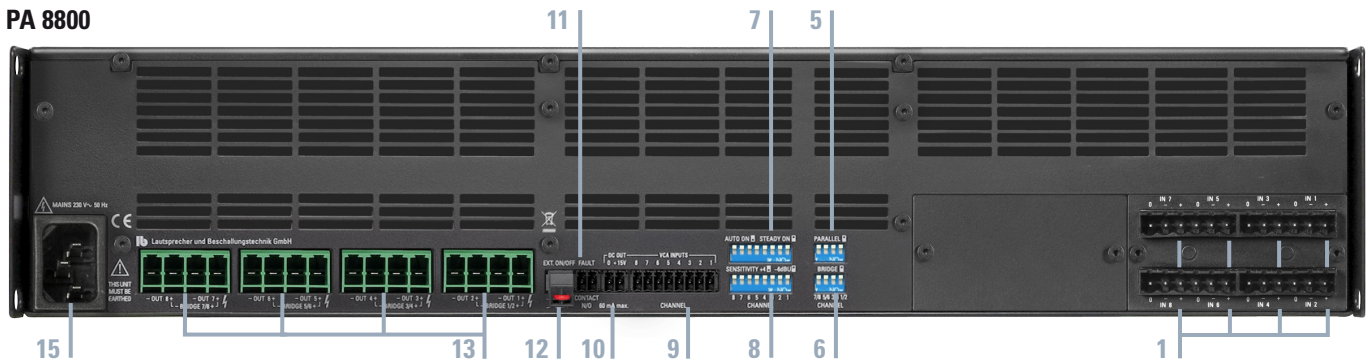
| Accessories | Order-No | Version |
|---|-----------|--|
| WP-V  | 3401-0002 | Wall Panel (Volume regulation and ON/MUTE) |
| RP-V  | 3402-0002 | Rack Panel (Volume regulation and ON/MUTE) |
| DV-Module  | 3109-0006 | Digital volume control (UP/DOWN contacts) |
| PA-T 800  | 3109-0007 | 100 V transformer module, 800 watts, toroidal core |
| PA-T 1 U  | 3109-0005 | Rack cradle 19", 1U for 4 × PA-T 100, 2 × PA-T 200, 2 × PA-T 400, 2 × PA-T 800 |
| RP-1 U  | 3402-0016 | 19" Rack mount, 1U, for 6 × RP panels |

PA 8800 19" Multichannel Amplifier

Back View

- | | |
|--|---|
| <ul style="list-style-type: none"> 1 8×IN-SYM Input module 8 × line IN symmetrical 2 8×IN-CINCH Input module 8 × line IN cinch asymmetrical 3 DANTE 8×8 Dante interface, 2 × RJ45 Ethernet 5 PARALLEL dip switch per channel pair 6 BRIDGE dip switch per channel pair 7 AUTO ON/STEADY ON dip switch per channel 8 SENSITIVITY+4/-6 dBu dip switch per channel | <ul style="list-style-type: none"> 9 VCA-INPUTS (Voltage Controlled Amplifier) per channel 10 DC OUT 15 V power supply for WP-/RP-/V, 60 mA max. 11 FAULT CONTACT N/O 12 EXT. ON/OFF N/C (short circuit plug) 13 OUT speaker outputs 15 IEC mains connection (power cable enclosed) |
|--|---|

PA 8800



PA 8800 CINCH

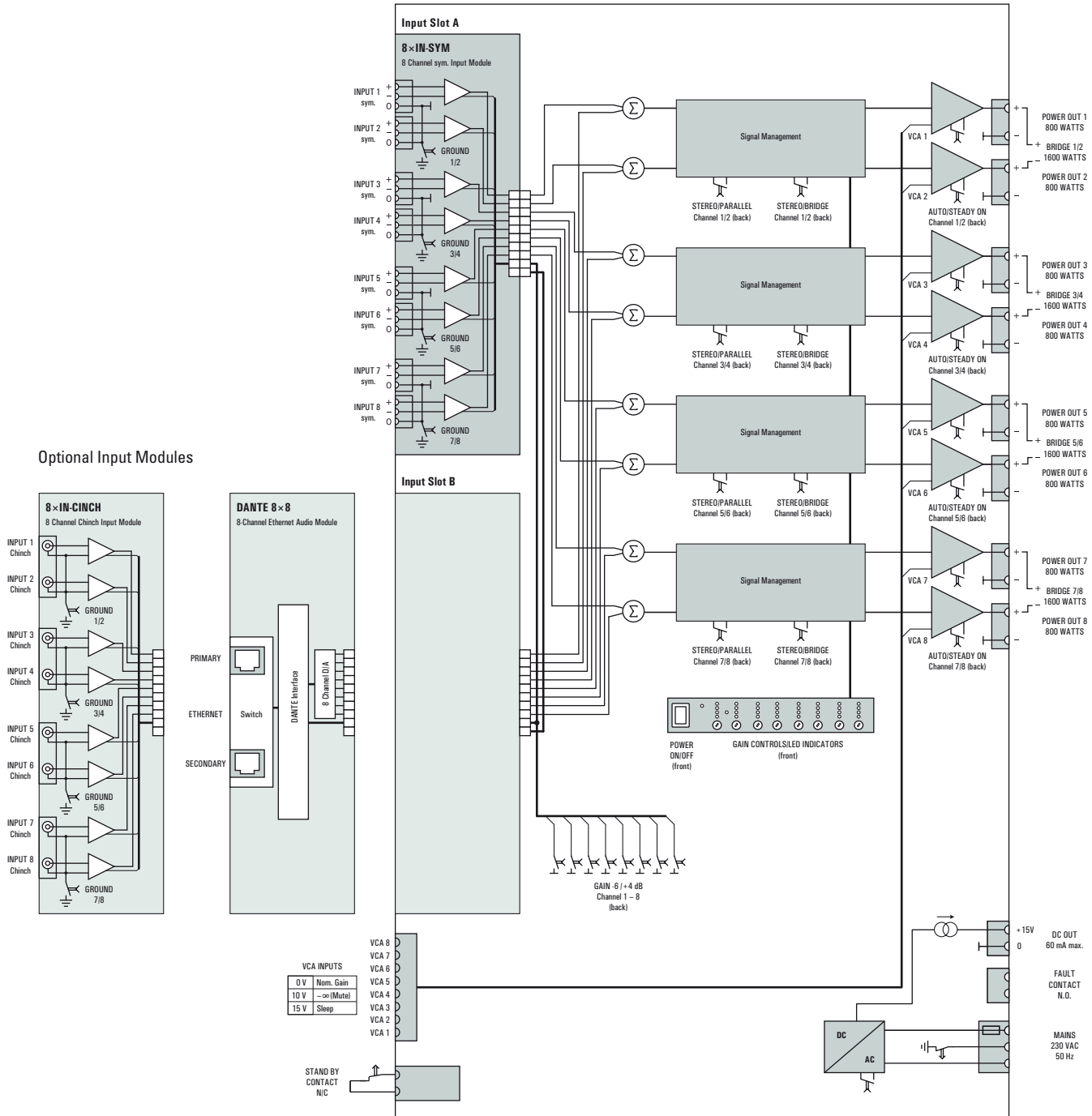


PA 8800 DANTE



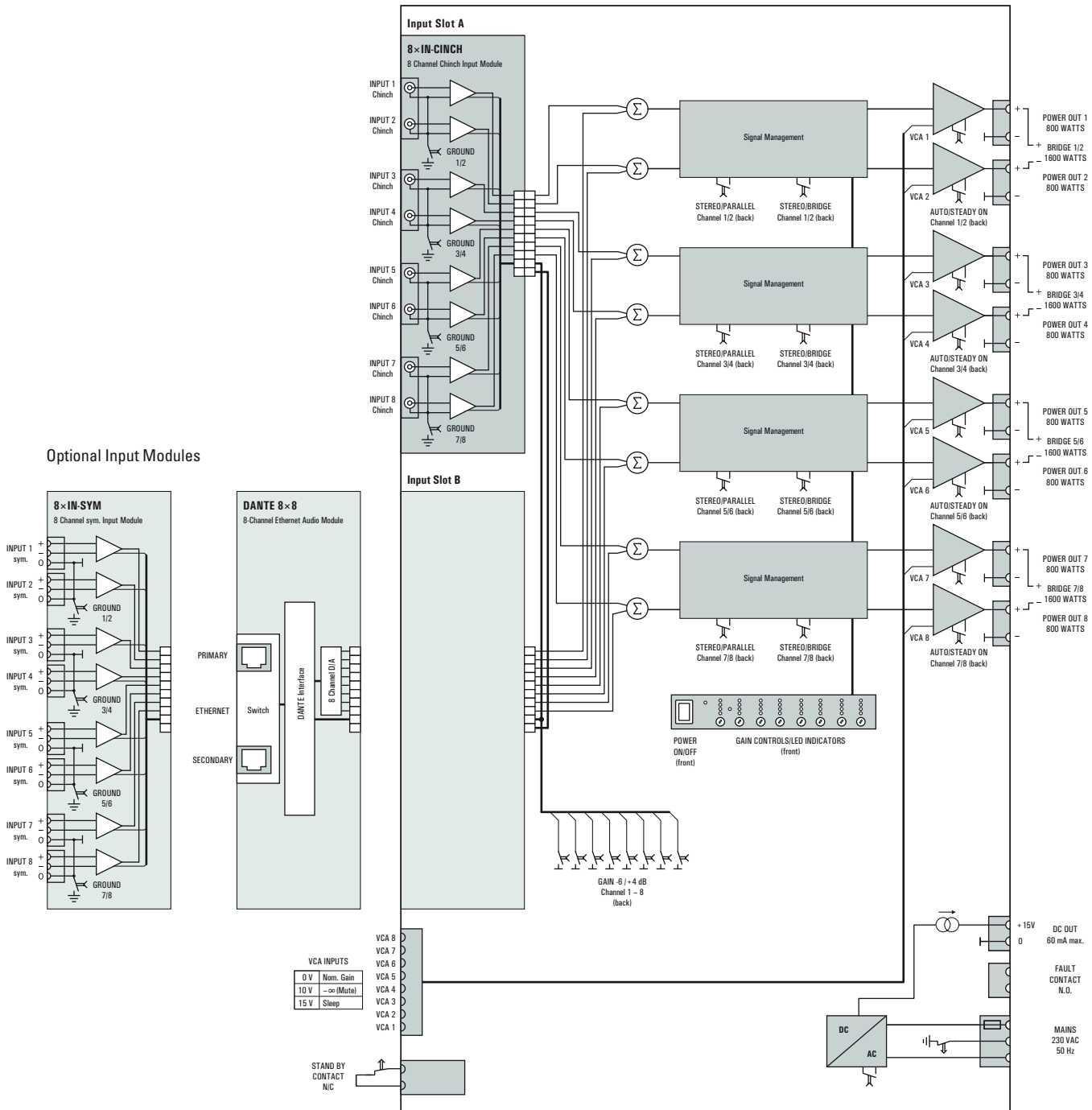
PA 8800 19" Multichannel Amplifier

Block diagram PA 8800



PA 8800 19" Multichannel Amplifier

Block diagram PA 8800 CINCH





PA 8800 19" Multichannel Amplifier

Block diagram PA 8800 DANTE

