

RL 110 A-MP3

Active Directional Speaker with Supercardioid Pattern and MP3-Player



rlseries

Description

The RL 110 A-MP3 is an active directional speaker with 20 watts power, automatic switch-ON and an integrated MP-3 player with bluetooth connection, specially developed for the targeted acoustic irradiation of confined listening areas. The speaker system offers a supercardioid pattern over the entire frequency range.

The integrated MP-3 Player reports audio files from Micro SD Cards (Priority 1), USB-Sticks (Priority 2) or via Bluetooth connection (Priority 3). It automatically switches the signal sources.

Thanks to the high input sensitivity external MP3 players and computers can be also directly connected in addition to the internal MP3-Player.

A stereo-cinch input with volume control, the power LED, DIP-switches for Auto ON/Steady ON and 150 Hz high-pass filter and a connection for the external power supply are located at the back.

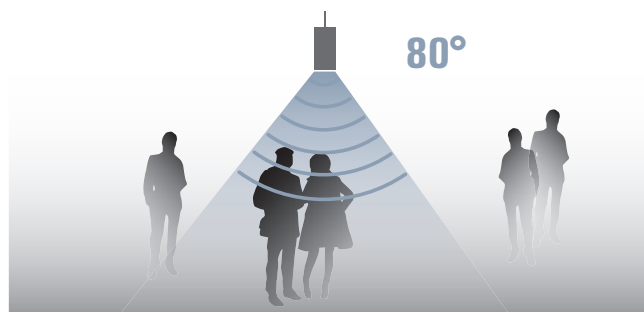
The speaker is either suspended from the ceiling or mounted with our I-bracket WH 110 on wall or ceiling. For optimum results, the distance between the speaker and listener should be as short as possible.

Key Features

- Active directional speaker
- Integrated MP3-Player
- Integrated bluetooth connection
- Supercardioid pattern
- 80° nominal dispersion
- 3" full-range driver
- 20 watts amplifier power
- Stereo-cinch input
- Standard finish: white and black
- Switchable high-pass filter (HPF)
- Auto ON/OFF

Fields of Applications

- Exhibitions, trade fairs
- Museums
- Shops, sales rooms

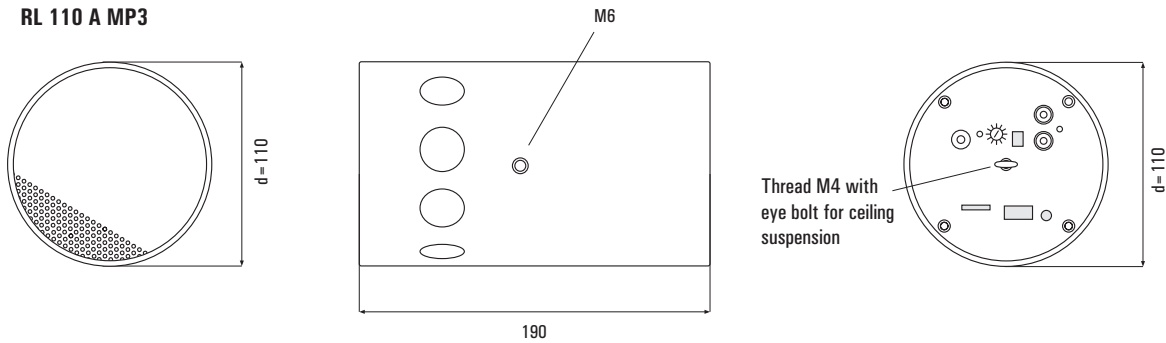


Minimum lateral sound radiation and a short distance allows focused acoustic irradiation to the visitors.

RL 110 A-MP3

Active Directional Speaker with Supercardioid Pattern and MP3-Player

Dimensions RL 110 A-MP3






Technical Data

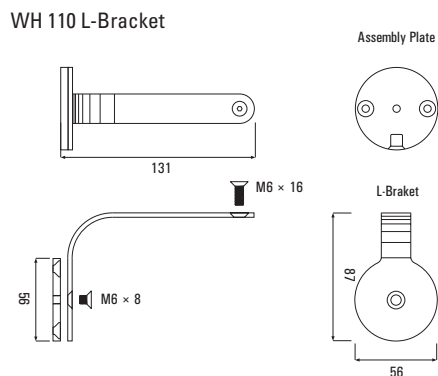
Principle	Active full-range directional speaker with supercardioid pattern
Components	3" full-range driver
Frequency range	190 Hz – 19 kHz
Amplifier output	20 watts
Sensitivity	Maximum SPL 95 dB (1 W @ 1m)
Nominal dispersion	80°
Connectors	Stereo cinch input; parallel operation in addition to the internal player
Input sensitivity	-6 dBu for full modulation, input-impedance 10 kohms
Operational controls	Volume control, switch auto ON/steady ON, switchable high-pass filter, LED power ON
MP3-Player	plays MP3 or wave files from Micro SD, USB or via Bluetooth; Priority 1 = Micro SD, Priority 2 = USB, Priority 3 = Bluetooth
Mains	230 V AC with plug-switch power supply (included in delivery)
Power supply	90 – 240 V AC
Dimensions	d = 110 mm, l = 190 mm
Weight	1.4 kg
Cabinet	Aluminium, front precision steel grille, powder-coated
Fastening points	Suspension point at rear M 4 with eye bolt, threaded insert M 6 laterally for optional wall mount WH 110
Warranty	5 years

Model	Order-No.	Version
RL 110 A-MP3 Weiß	0901-0007	RAL 9016
RL 110 A-MP3 Schwarz	0901-0008	RAL 9005

Other colors and versions on request.

Accessories	Order-No.	Version
WH 110 White 	7109-0001	L-braket with assembly plate, incl. savety rope
WH 110 Black 	7109-0002	L-braket with assembly plate, incl. savety rope
SR 300 	7109-0003	Stainless steel rope for pendant mounting, lenght 3 m, thickness 1 mm, one side with loop

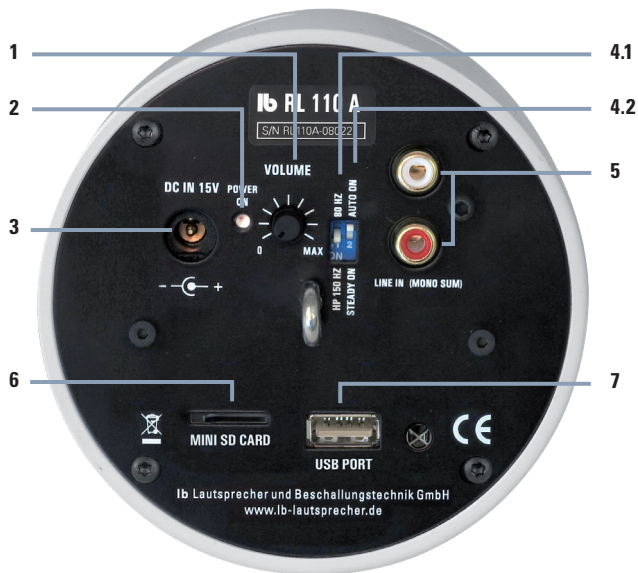
Dimensions Wall Mount



RL 110 A-MP3

Active Directional Speaker with Supercardioid Pattern and MP3-Player

Operational Controls



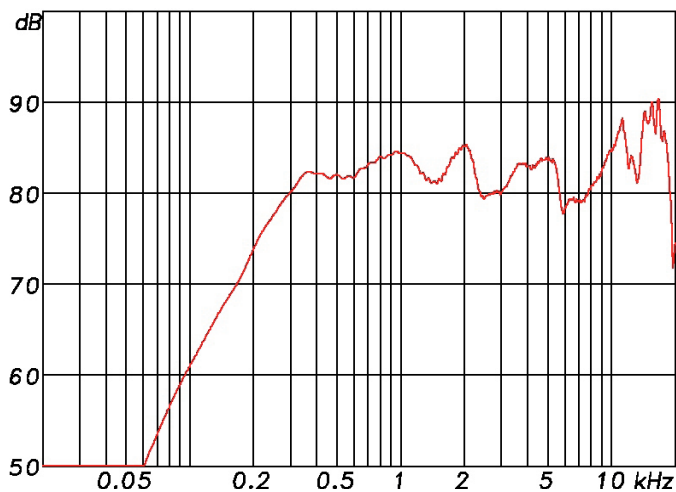
- 1 VOLUME
- 2 LED POWER ON
- 3 DC IN 15V
- 4.1 DIP-Switch – 80/150 Hz HP
- 4.2 DIP-Switch – AUTO ON/STEADY ON
- 5 LINE IN (MONO SUM)
- 6 **MICRO SD CARD**
Reader for Sound Files (Priority 1)
- 7 **USB Port**
Port for USB-Sticks (Priority 2)

Bluetooth connection
WPAN (Priority 3)

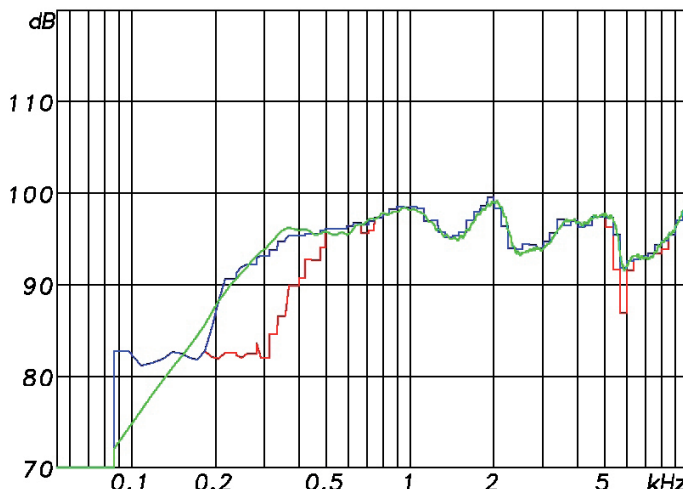
See further technical informations in the datasheets and on our website:
<https://www.lb-lautsprecher.de/en/Directional-Speakers>

Measuring Diagrams

RL 110 A Sens. 2.83 V/1m: 79.5 db (100-10k) 197 Hz - 19,5 kHz (-6 dB)



RL 110 A max. SPL @ 3% and 10% distortion threshold 20 W max. power



RL 110 A directivity plot

