



RL 110 Directional Speaker with Supercardioid Pattern

Description

The RL 110 directional speaker has been specially developed for the targeted acoustic irradiation of confined listening areas. The speaker system offers a supercardioid pattern over the entire frequency range.

The speaker is either suspended from the ceiling or mounted with our I-bracket WH 110 on wall or ceiling.

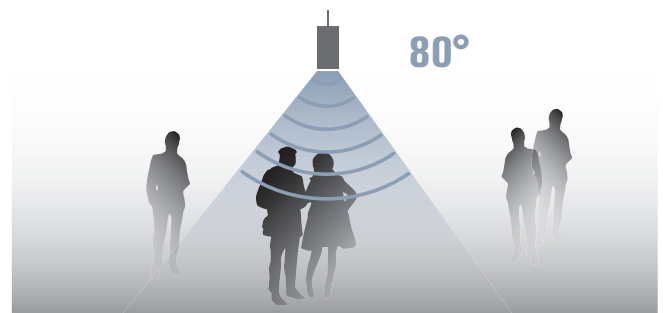
For optimum results, the distance between the speaker and listener should be as short as possible.

Key Features

- Directional speaker with supercardioid pattern
- 80° nominal dispersion
- 3" full-range driver
- 8 ohms or 100 V versions
- Standard finish: white and black

Fields of Application

- Exhibitions, trade fairs
- Museums
- Shops, sales rooms



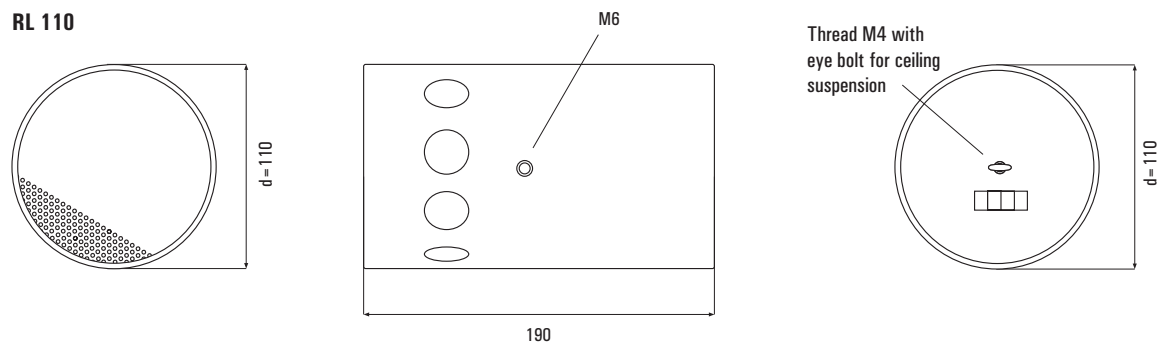
Minimum lateral sound radiation and a short distance allows focused acoustic irradiation to the visitors.

RL 110

Directional Speaker with Supercardioid Pattern

Dimensions

RL 110

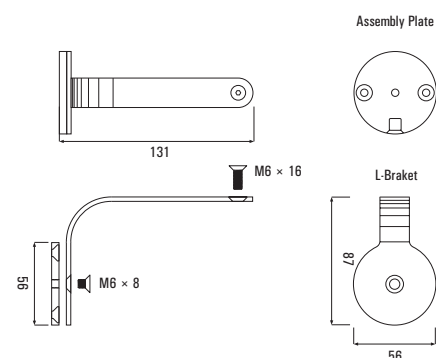


Technical Data

Principle	Full-range directional speaker with supercardioid pattern, electronically linearized
Components	3" full-range driver
Frequency range	190 Hz – 19 kHz
Impedance	8 ohms
Power capacity	20 watts RMS, 40 watts program
Sound pressure	83 dB (1 W @ 1 m)
Maximum SPL	96 dB @ 1 m 100 V version: 93 dB @ 1 m
Nominal dispersion	80°
Dimensions	d = 110 mm, l = 190 mm
Weight	1.0 kg
Fastening points	Suspension point at rear M 4 with eye bolt, threaded insert M 6 laterally for optional wall mount WH 110
Connectors	Screw-type terminals, pluggable
Warranty	5 years

Dimensions Wall Mount

WH 110 L-Bracket



Model	Order-No.	Version
RL 110 White	0901-0001	RAL 9016
RL 110 Black	0901-0002	RAL 9005
RL 110 T White	0901-0003	100 V versions
RL 110 T Black	0901-0004	Power 2.5/5/10 watts

Other colors and versions on request

Accessories	Order-No.	Version
WH 110 White	7109-0001	L-braket with assembly plate, incl. savety rope
WH 110 Black	7109-0002	L-braket with assembly plate, incl. savety rope
SR 300	7109-0003	Stainless steel rope for pendant mounting, lenght 3 m, thickness 1 mm, one side with loop

RL 110

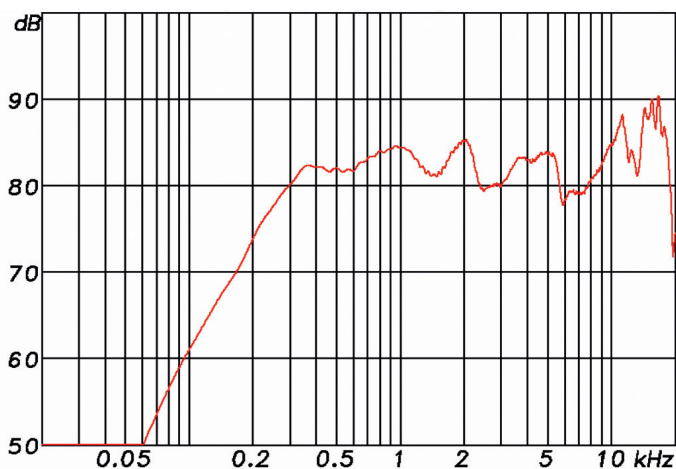
Directional Speaker with Supercardioid Pattern

Back View

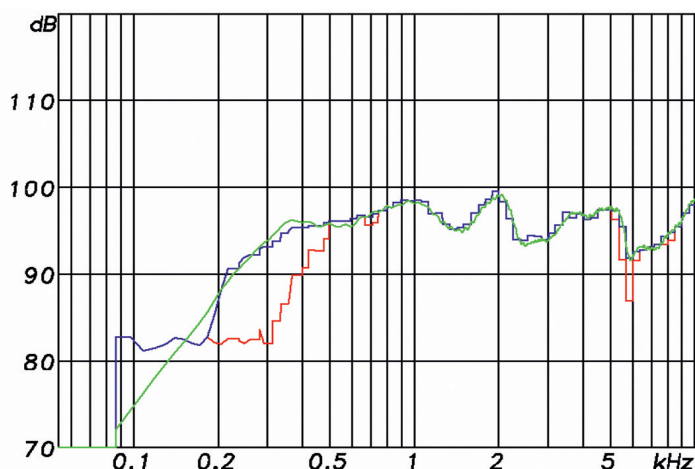


Measuring Diagrams

RL 110 Sens. 2.83 V/1m: 79.5 db (100-10k) 197 Hz - 19,5 kHz (-6 dB)



RL 110 max. SPL @ 3% and 10% distortion threshold 30 W max. power



RL 110 directivity plot

