



SB-A 2.0 CAM+ Active Stereo Soundbar with Integrated Camera and Microphone-Array

display^{CAM} series

Description

The active stereo soundbars SB-A 2.0 CAM provide an integrated camera and are specially designed to deliver outstanding picture and sound quality in small conference spaces and huddle rooms.

The SB-A 2.0 CAM+ models are plug-and-play solutions with an integrated high-quality camera and microphone array (Huddly IQ).

The SB-A 2.0 CAM soundbar go into action in larger spaces where individual table microphones are used, as there is no microphone integrated (Huddly GO). A flush-mounted waveguide is integrated in the soundbar cabinet to ensure optimum speech intelligibility and microphone array directivity during voice transmission.

The active soundbars offer outstanding amplifier power (2 × 50 watts) and are equipped with a digital signal processor and multiband limiters for perfect sound reproduction.

Key Features

- Active stereo soundbar with integrated camera
- Very linear frequency range
- Optimized speech intelligibility
- Integrated DSP with multiband limiters
- Power 2 × 50 watts
- Automatic switch-on
- Switchable Ground-Lift
- Customized versions on measure for display widths from 960 up to 2000 mm
- VESA mounts for display heights up to 100 inches

Customized Versions On Measure

Alongside the standard 960-mm-wide SB-A 2.0 CAM model, we also offer customized versions with widths ranging from 960 mm to 2,000 mm – ensuring you get the perfect fit for your display to create an elegant, harmonized display and speaker unit.

Assembly

Use our SB-VESA brackets for direct mounting on displays. These can be used on displays measuring from approx. 40 to 100 inches.

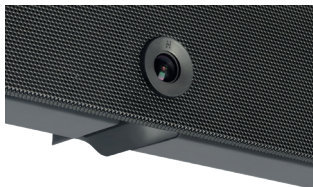
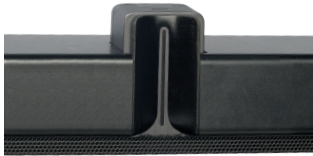
Alternatively, you can use our WH 80 brackets to attach the speakers directly to the wall or to a wall panel for flush mounting (brackets must be ordered separately).

Fields of Application

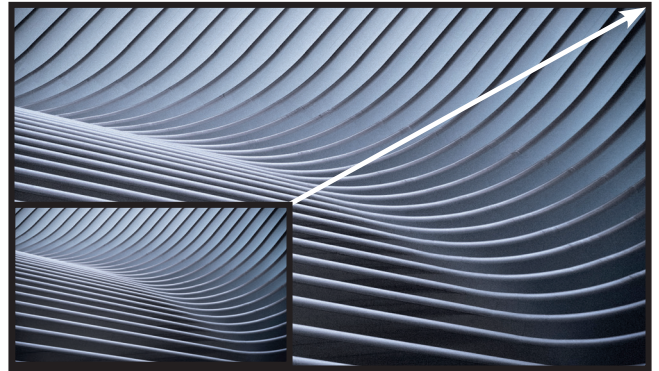
- Conference rooms
- Video conferences
- Huddle rooms

SB-A 2.0 CAM+

Active Stereo Soundbar with Integrated Camera and Microphone-Array



The cabinet of the soundbar has an integrated flush-mounted waveguide for optimal speech intelligibility during voice transmission.



Individual width on measure from 960 mm up to 2000 mm.

Technical Data

Principle	Active stereo soundbar with integrated camera or camera + microphone-array
Components	2 × 2.5" full-range drivers + 2 × 2.5" woofers + 3 × 2.5" passive radiators (as of 1200 mm 4 × 2,5" passive radiators)
Frequency range	55 Hz – 20 kHz
Power capacity	2 × 50 watts
Maximum SPL	max. 109 dB (1 W/1m)
Nominal dispersion	120°
Connectors	Camera: USB 3.0 (type C) incl. cabel (model CAM: 0.6 m cable; model CAM+ : 1.15 m cable), input cinch stereo, pluggable system terminals to connect extern power supply, input cable mini jack 3.5 mm to cinch, 1.5 m
Input sensitivity	-6 dBu for full modulation, input-impedance 4.7 kohms
Operating controls at back	Volume control, LED On/Limit, Ground-Lift-Switch
Automatic switch-on	Switch-off with approx. 5 min. delay
Power supply	Extern power supply 24 VDC
Mains connection	90 – 240 VAC
Dimensions (W × H × D)	960 × 80 × 48 mm, depth of camera (middle of cabinet) 70 mm
Weight	5 kg
Cabinet	Aluminium, front precisions steel grille, powder-coated
Suspension points	Threaded inserts 4 × M 6 at rear
Warranty	5 years

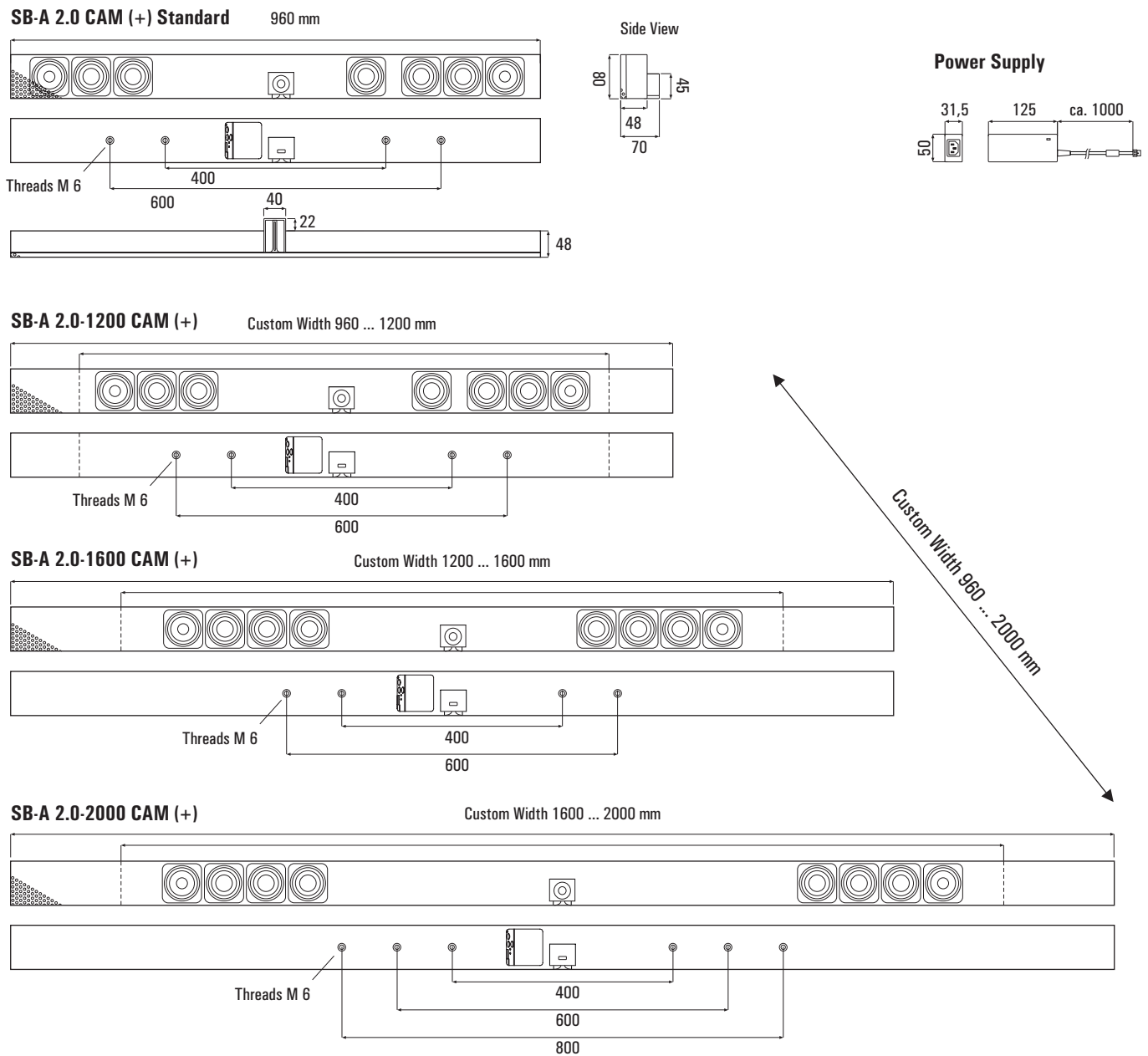
Model	Order-No.	Version
SB-A 2.0 CAM+	1215-0005	Standard version with integrated camera + microphon array (Huddly IQ), width 960 mm, black
Customized verions with width on measure		
SB-A 2.0-1200 CAM+	1215-0006	Width on measure from 960 up to 1200 mm
SB-A 2.0-1600 CAM+	1215-0007	Width on measure from 1200 up to 1600 mm
SB-A 2.0-2000 CAM+	1215-0008	Width on measure from 1600 up to 2000 mm
Fee SB	1213-0006	Customized version fee SB (one-time charge per display type and order)

Accessories	Order-No.	Version
Wall-mounts for wall assembly		
SB-VESA	7111-0012	VESA mount for displays from 40" – 100"
Wall-mounts for wall assembly		
WH 80	7111-0013	Adjustable to a distance of 35 to 110 mm from the wall, pair

SB-A 2.0 CAM+

Active Stereo Soundbar with Integrated Camera and Microphone-Array

Dimensions SB-A 2.0 CAM +



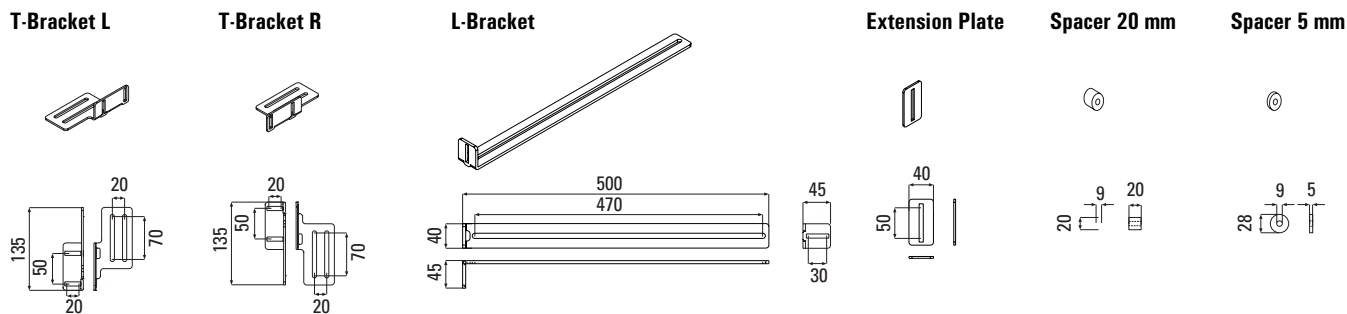
SB-A 2.0 CAM+

Active Stereo Soundbar with Integrated Camera and Microphone-Array

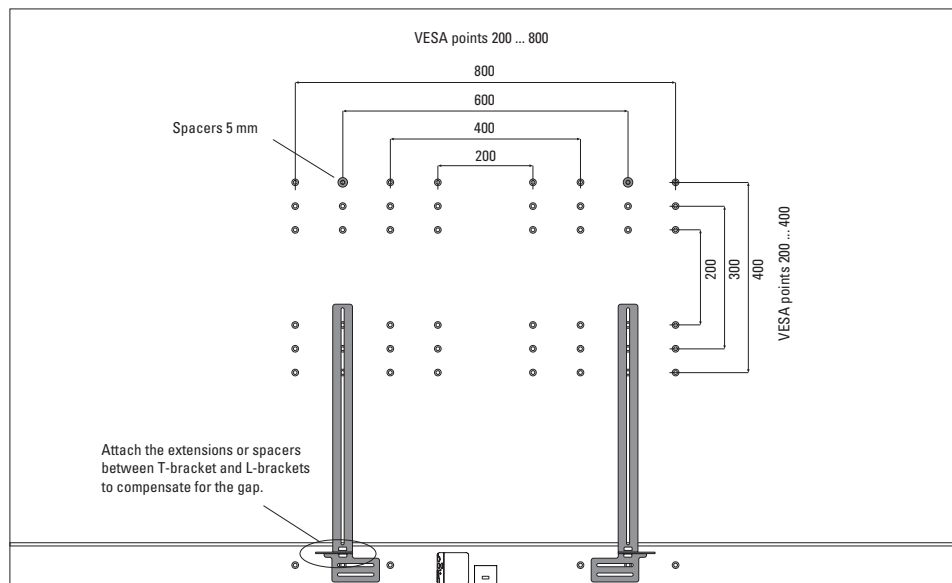
Dimensions VESA Mount

SB-VESA Mount

(comprises 1 x T-Bracket L, 1 x T-Bracket R, 2 x L-Bracket, 2 x Extension Plate, 2 x Spacer 20 mm, 2 x Spacer 5 mm + Screws)



Mounting a customized soundbar SB(-A) 2.0 CAM-2000 with SB-VESA on a 85" display



Speaker Connection

