

DE 200 ST Polar / DE 200 STQ Polar Stereo In-Wall / In-Ceiling Speaker



Description

This sophisticated built-in stereo speaker with high power capacity and Polar® technology is designed for operation with amplifiers with stereo output in multi-room systems. The DE 200 ST Polar is especially suitable for smaller spaces or sound zones where one speaker provides sufficient sound distribution. The perfect omnidirectional behavior typical of Polar speakers and the precise tonal balance of the 6.5" + 2 × 1" system ensure a natural, three-dimensional sound experience.

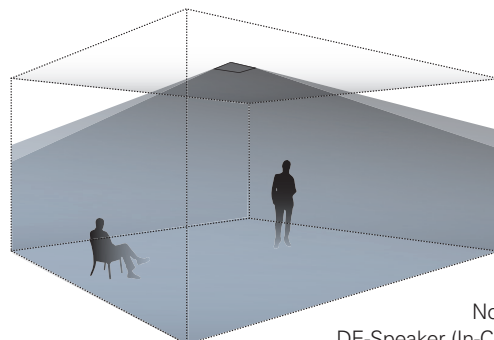
The DE 200 ST is comprised of three parts. First, the elegant installation frame is mounted in the ceiling or wall. The speaker unit and the magnetic front grille are then installed. This enables reliable installation and retrofitting, even for complicated installation scenarios.

Special Features

- Stereo in-ceiling speaker with Polar® technology
- 180° dispersion
- Angled tweeter array
- Very linear frequency response
- Small dimensions and installation depth
- 6.5" woofer + 2 × 0.75" dome tweeter
- 2 × 80 watts power capacity
- Round or square
- Standard finish: white or black
- Moisture proof

Fields of Application

- Conference rooms
- Exhibitions, trade fairs
- Gastronomy, hotels
- Home audio
- Media rooms
- Shops, sales rooms



Nominal Dispersion
DE-Speaker (In-Ceiling Installation)

DE 200 ST Polar / DE 200 STQ Polar Stereo In-Wall / In-Ceiling Speaker

Technical Data

Principle	2-way stereo speaker with Polar® technology
Components	6,5" woofer + 2 × 0,75" dome tweeter
Frequency range	54 Hz – 21 kHz
Power capacity	2 × 40 watts RMS, 2 × 80 watts program
Sensitivity	86 dB SPL (1W@1 m), half-space (flush-mounted)
Maximum SPL	108 dB @ 1 m
Nominal dispersion	180°
Dimensions	DE 200 ST Polar: Ø 192 mm, DE 200 STQ Polar: 192 × 192 mm
Cutout size	DE 200 ST Polar: Ø 176 mm, DE 200 STQ Polar: 176 × 176 mm
Wall thickness	8...30 mm
Installation depth	100 mm
Material	Precision steel assembly frame and grille, powder-coated
Weight	2.2 kg
Connectors	Screw type terminals, pluggable
Warranty	5 years

Model

Order No. Version

DE 200 ST Polar White	0104-0063	Round, RAL 9016
DE 200 ST Polar Black	0104-0047	Round, RAL 9005
DE 200 STQ Polar White	0104-0064	Square, RAL 9016
DE 200 STQ Polar Black	0104-0048	Square, RAL 9005

Other colours and versions on request.

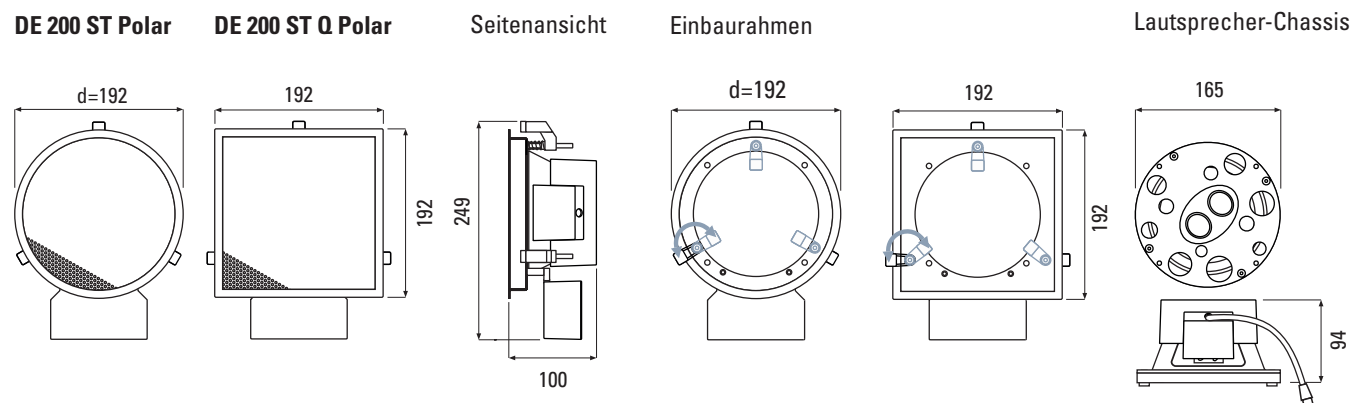


DE 200 ST Polar without grille








DE 200 ST Q Polar without grille

Dimensions



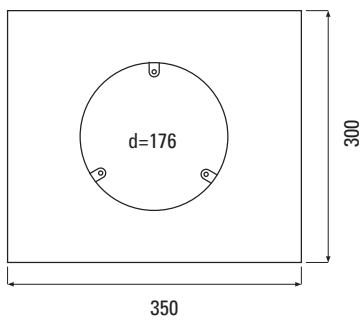
DE 200 ST Polar / DE 200 STQ Polar Stereo In-Wall / In-Ceiling Speaker

Back Boxes	Order No.	Version
	EG 200 2203-0001	Back box for DE 200, all types, plastic, Dim.: 350 × 300 × 120 mm
	EG 200 Q 2204-0001	Back box for DE 200 Q, all types, plastic, Dim.: 350 × 300 × 120 mm
	EGB 200 2209-0001	Back box for concrete for DE 200, all types, plastic, Dim.: 350 × 300 × 148 mm, (incl. rigid foam insert)
	EGB 200 Q 2210-0001	Back box for concrete for DE 200 Q, all types, plastic, Dim.: 350 × 300 × 148 mm, (incl. rigid foam insert)
	DE-X Tool 0360-0001	Magnetic holder for effortless insertion and removal of front grille

Dimensions

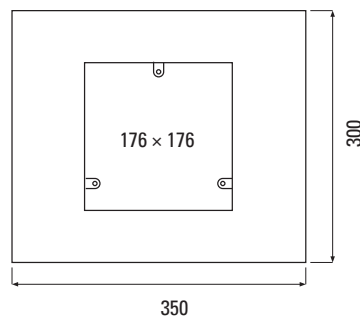
EG 200

Front

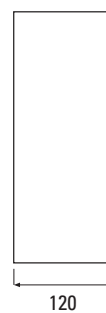


EG 200 Q

Front

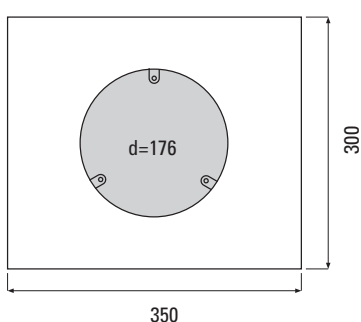


Side



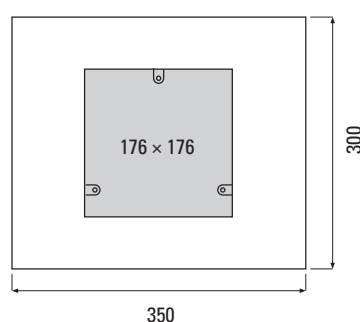
EGB 200

Front

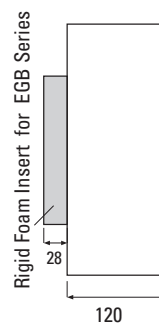


EGB 200 Q

Front



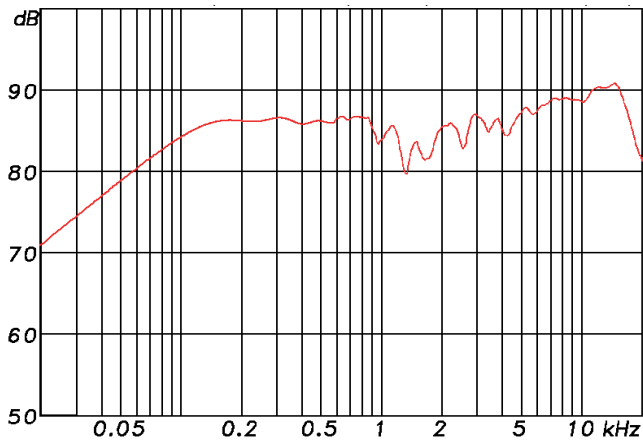
Side



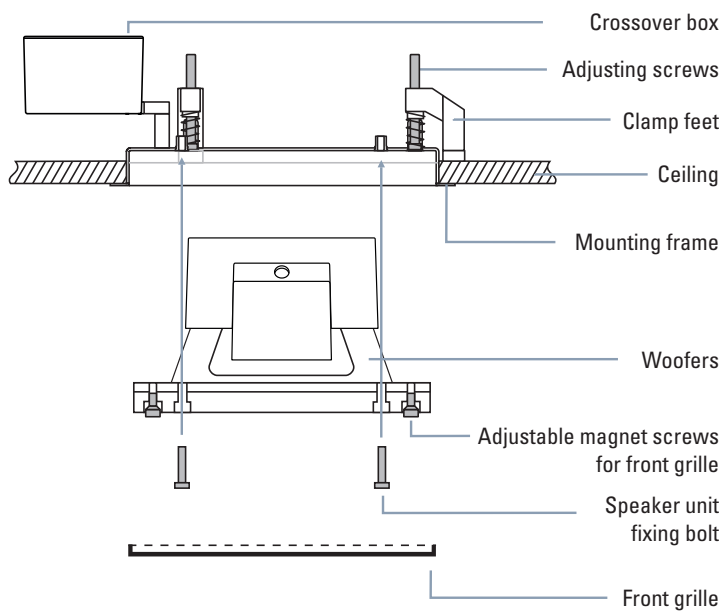
DE 200 ST Polar / DE 200 STQ Polar Stereo In-Wall / In-Ceiling Speaker

Measuring Diagram

DE 200 ST Polar Sens. 2,83V/1m: 86 db (100-10k) 54 Hz - 20 kHz (-6 dB) half space



Assembly (Ceiling)



Installation Steps:

1. Slice cut out size in drywall surface (in solid walls / ceilings insert built-in cabinet of the EG series).
2. Insert assembly frame with clamp feet and swivel clamp feet outwards.
3. Adjust assembly frame with adjusting screws.
4. Connect chassis to crossover box and adjust.
6. Insert front grille and, where necessary, readjust the height-adjustable holding magnets.



6-pol connection with screw type terminals