



## DE 300 FR In-Ceiling Speaker with 35° Downward- Facing Beam Direction

### Description

The DE 300 FR in-ceiling speaker features 35° downward-facing beam direction. and has been specifically developed as a front speaker (L, R, center) that does not obstruct the line of sight in home audio systems and media spaces.

Thanks to the angled arrangement of two 5.25" low-mid drivers and a 1" tweeter plus waveguide, the DE 300 FR generates a main directional axis of -35° (vertical).

The precise balance and the dispersion angle of 80° enable clear sound reproduction and exceptional speech intelligibility.

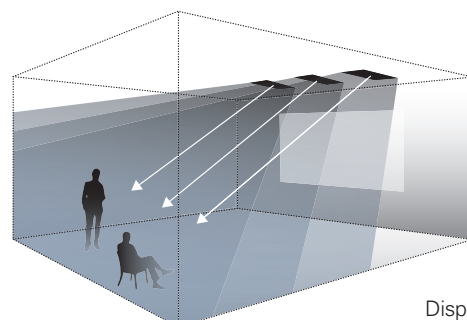
The DE 300 FR is comprised of three parts. First, the elegant installation frame is mounted in the ceiling or wall. The speaker unit and the magnetic front grille are then installed. This enables reliable installation and retrofitting, even for complicated installation scenarios.

### Special Features

- 3-way in-ceiling front speaker
- Beam direction: -35° downwards
- 80° dispersion
- High speech intelligibility
- 5.25" woofer + 5.25" low-mid woofer + 1" tweeter waveguide
- 160 watts power capacity, 4 ohms
- Very linear frequency response
- Standard finish: white or black
- Moisture proof

### Fields of Application

- Conference rooms
- Gastronomy, hotels
- Home audio
- Media rooms
- Shops, sales rooms
- Surround systems



FR Speaker  
Dispersion characteristic  
(In-Ceiling Installation – left, right, centre)

# DE 300 FR In-Ceiling Speaker with 35° Downward-Facing Beam Direction

## Technical Data

Principle	3-way in-ceiling front speaker with 35° downward-facing beam direction
Components	5.25" woofer + 5.25" low-mid woofer + 1" tweeter waverguide
Frequency range	57 Hz – 21 kHz
Impedance	4 ohms
Power capacity	80 watts RMS, 160 watts program
Sensitivity	87 dB SPL (1W@1 m), half-space (flush-mounted)
Maximum SPL	109 dB @ 1 m
Nominal dispersion	80°, beam direction: -35° downwards
Dimensions	358 × 192 mm
Cutout size	342 × 176 mm
Wall thickness	8...30 mm
Installation depth	150 mm
Material	Precision steel assembly frame and grille, powder-coated
Weight	4.2 kg
Connectors	Screw type terminals, pluggable
Warranty	5 years

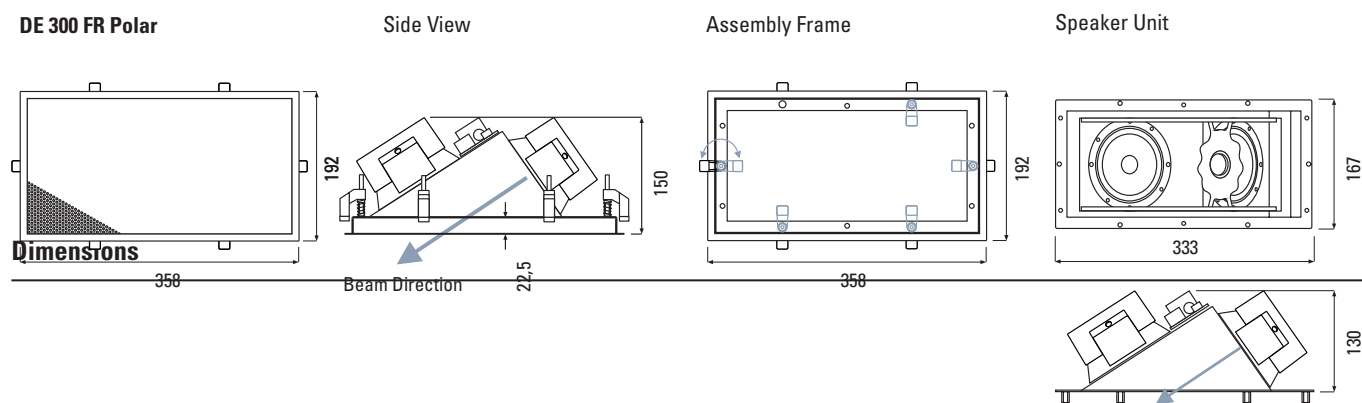
Model	Order No.	Version
DE 300 FR White	0105-0005	RAL 9016
DE 300 FR Black	0105-0011	RAL 9005

Other colours and versions on request.






DE 300 FR without grille

## Dimensions



# DE 300 FR

## In-Ceiling Speaker with 35° Downward-Facing Beam Direction

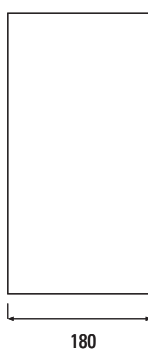
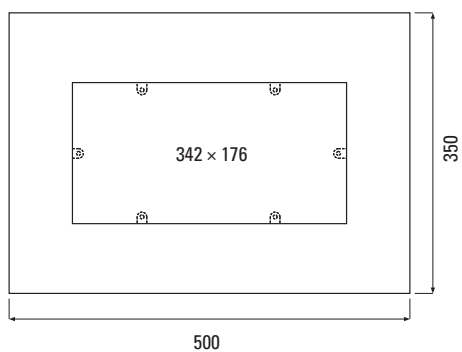
Back Box	Order No.	Version	
	<b>EG 300 FR</b>	2206-0001	Back box for DE 300 FR, plastic, dim.: 500 × 350 × 180 mm
	<b>EGB 300 FR</b>	2212-0001	Back box for concrete for DE 300 FR, plastic, dim.: 500 × 350 × 208 mm (incl. rigid foam insert)
	<b>DE-X Tool</b>	0360-0001	Magnetic holder for effortless insertion and removal of front grille

### Dimensions

#### EG 300 FR

Front

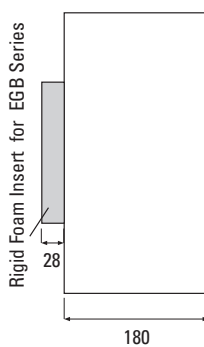
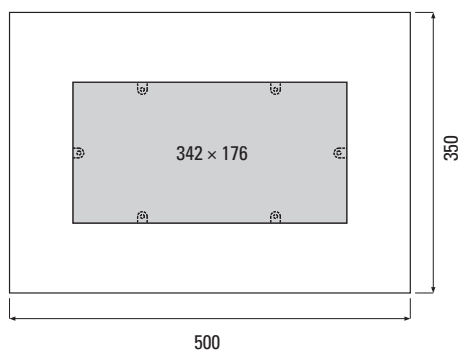
Side



#### EGB 300 FR

Front

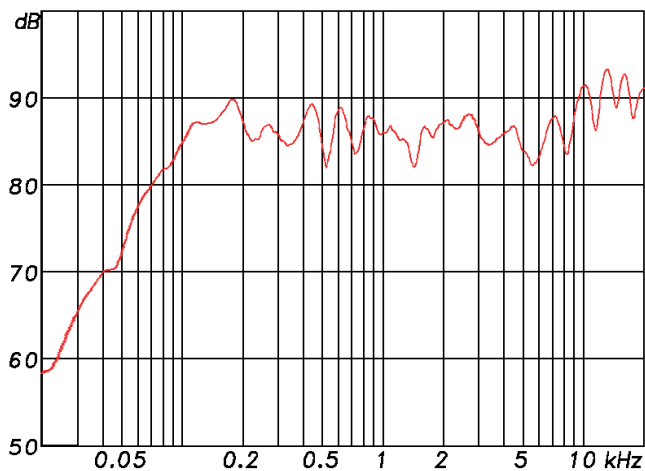
Side



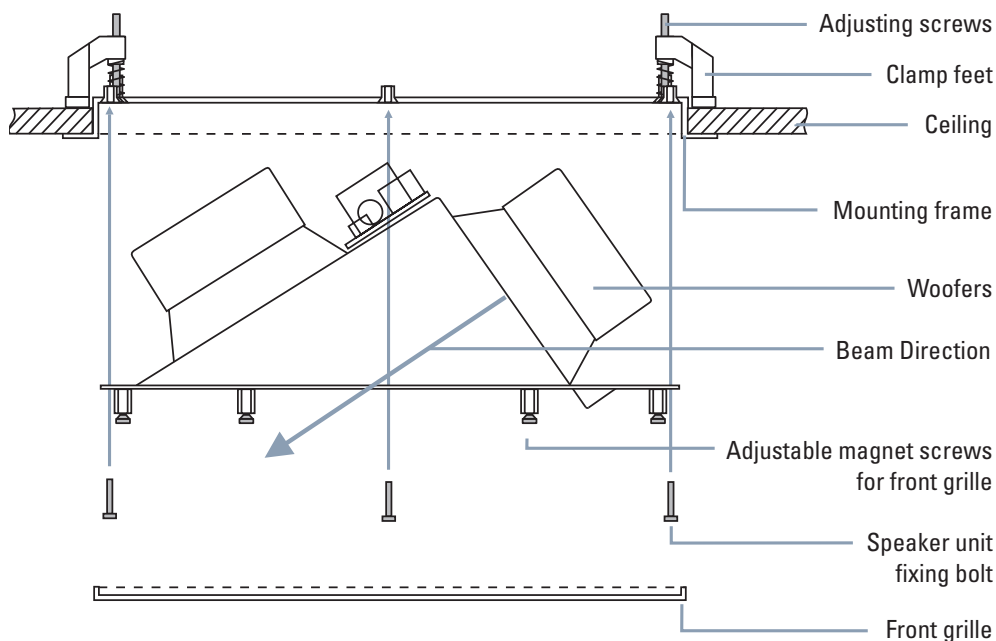
# DE 300 FR In-Ceiling Speaker with 35° Downward-Facing Beam Direction

## Measuring Diagram

DE 300 FR Sens. 2,83 V/1m: 87 dB 57 - 20000 Hz (-6 dB) half space



## Assembly (Ceiling)



### Installation steps:

1. Slice cutout size in drywall surface (in massive walls / ceilings insert back box from EG Series).
2. Implement mounting frame with clamp feet, swivel clamp feet outwards.
3. Tighten adjustable screws till frame is fixed.
4. Connect and install speaker unit.
5. Install front grille and if necessary readjust variable magnetic screws.