

DE-X 200 Polar / DE-X 200 Q Polar Trimless In-Wall/In-Ceiling Speaker



Description

This extra-heavy-duty, high-end, trimless in-ceiling speaker with Polar® technology and an elegant installation frame offers precise acoustic reproduction. Thanks to optimum omnidirectional dispersion characteristics, sound is distributed evenly throughout the space, even with just a few speakers. The precise tonal balance of the 6.5" + 1" system ensures clear sound reproduction even at high volumes.

The DE-X 200 Polar is comprised of three parts. First, the elegant installation frame is mounted in the ceiling or wall. The speaker unit and the magnetic front grille are then installed. This enables reliable installation and retrofitting, even for complicated installation scenarios.

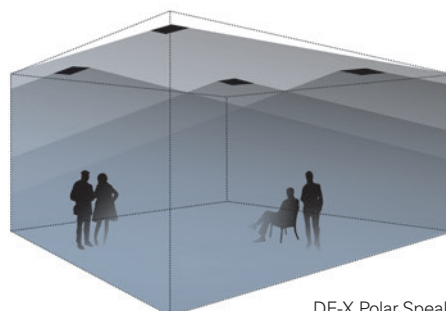
In spaces with different interior designs, the DE-X 200 Polar can be combined with the DE 200 Polar and FZ 180 Polar models to create homogeneous sound systems.

Special Features

- Very unobtrusive appearance (only the flush-mounted front grille is visible)
- Small dimensions and installation depth
- 2-way system with Polar® technology
- 180° dispersion
- Perfect sound distribution with a small number of loudspeakers
- Very linear frequency response
- 6.5" woofer + 1" dome tweeter
- 120 watts power capacity
- 8 ohms and 100 V versions
- Round or square
- Moisture proof

Fields of Application

- Conference rooms
- Gastronomy, hotels
- Home audio
- Shops, sales rooms
- Surround systems



Dispersion characteristic
DE-X Polar Speaker (In-ceiling installation)

DE-X 200 Polar / DE-X 200 Q Polar Trimless In-Wall/In-Ceiling Speaker

Technical Data

Principle	2-way loudspeaker with Polar® technology
Components	6.5" woofer + 1" dome tweeter
Frequency range	54 Hz – 21 kHz
Impedance	8 ohms
Power capacity	RMS 60 watts, program 120 watts
Sensitivity	87 dB SPL (1W@1 m), half-space (flush-mounted)
Maximum SPL	108 dB @ 1 m, 100 V version: 102 dB@ 1 m
Nominal dispersion	180°
Front grille	Precision steel grille with magnetic fastening, adjustable for flush-mounting
Front grille size	DE-X 200 Polar: Ø 170 mm DE-X 200 Q Polar: 170 × 170 mm
Cutout size	DE-X 200 Polar: Ø 176 mm DE-X 200 Q Polar: 176 × 176 mm
Installation depth	100 mm
Wall / ceiling thickness	8 ... 30 mm
Material	Precision steel assembly frame and grille, powder-coated
Weight	2.1 kg
Connectors	Screw type terminals, pluggable
Warranty	5 years

Model	Order No.	Version
DE-X 200 Polar White	0340-0001	Round, RAL 9016
DE-X 200 T Polar White	0340-0002	Round, 100 V version, Power 7.5/15/30 watts
DE-X 200 Q Polar White	0340-0003	Square, RAL 9016
DE-X 200 QT Polar White	0340-0004	Square, 100 V version, Power 7.5/15/30 watts

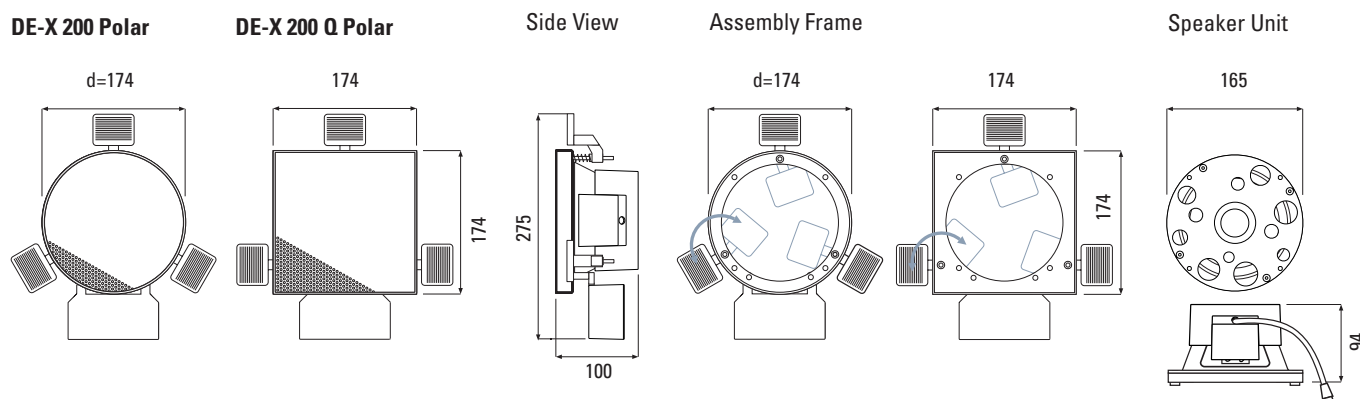
Other colours and versions on request.








DE-X 200 Polar without grille

DE-X 200 Q Polar without grille

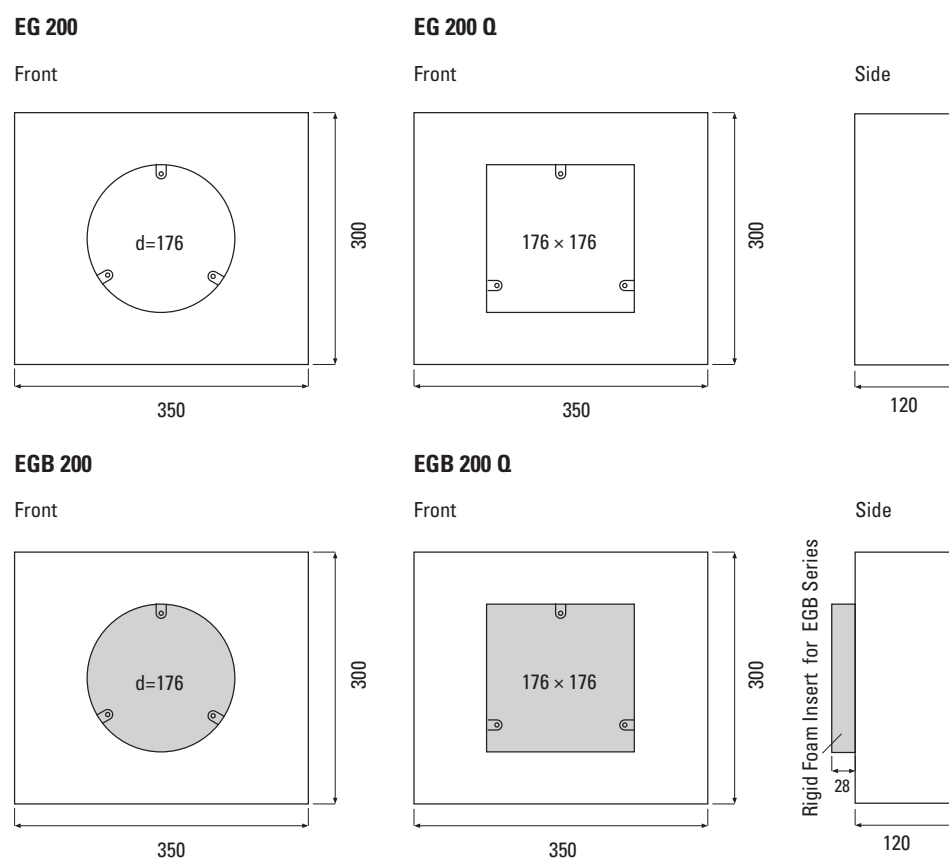
Dimensions



DE-X 200 Polar / DE-X 200 Q Polar Trimless In-Wall/In-Ceiling Speaker

Back Boxes	Order No.	Version
	EG 200 2203-0001	Back box for DE-X 200, all types, plastic, dim.: 350 × 300 × 120 mm
	EG 200 Q 2204-0001	Back box for DE-X 200 Q, all types, plastic, dim.: 350 × 300 × 120 mm
	EGB 200 2209-0001	Back box for concrete for DE-X 200, all types, plastic, Dim.: 350 × 300 × 148 mm, (incl. PVC rigid foam)
	EGB 200 Q 2210-0001	Back box for concrete for DE-X 200 Q, all types, plastic, Dim.: 350 × 300 × 148 mm, (incl. PVC rigid foam)
	DE-X Tool 0360-0001	Magnetic holder for effortless insertion and removal of front grille

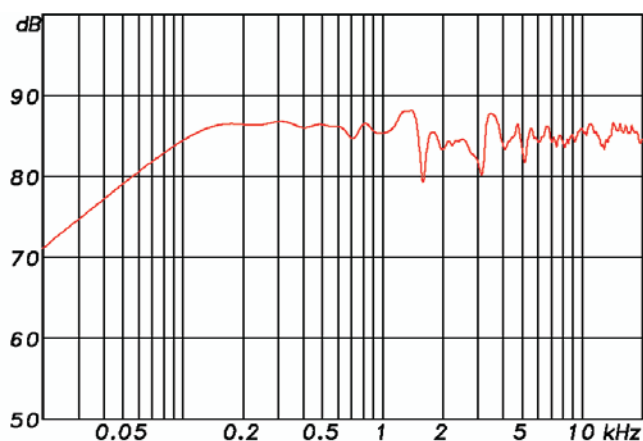
Dimensions



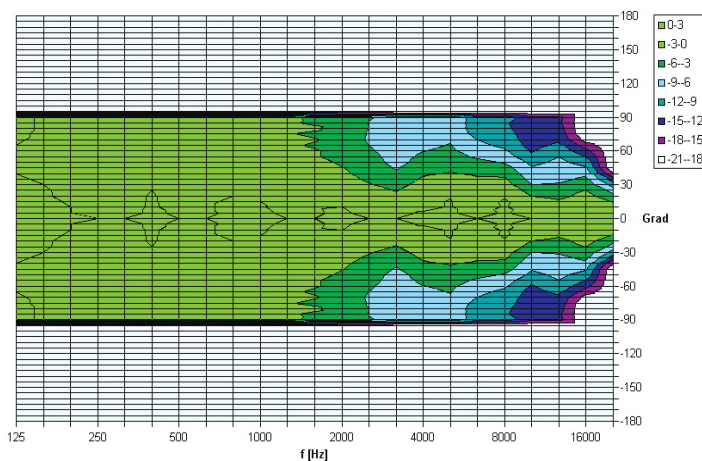
DE-X 200 Polar / DE-X 200 Q Polar Trimless In-Wall/In-Ceiling Speaker

Diagrams

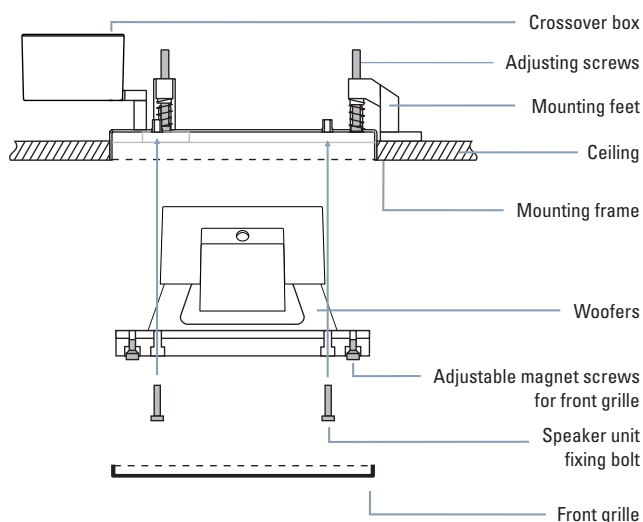
DE-X 200 Polar Sens. 2.83 V/1m: 85.5 dB (100-10k) 53 Hz - 20 kHz (-6 dB) half space



DE-X 200 Polar half space Directivity Plot



Assembly (ceiling)



Installation steps:

1. Slice cut out size in drywall surface (in solid walls / ceilings insert built-in cabinet of the EG series).
2. Insert assembly frame with mounting feet and swivel mounting feet outwards.
3. To fasten, screw the quick-build screws through the wall into the mounting feet.
4. Adjust assembly frame with adjusting screws until flush, plaster and paint.
5. Connect and insert chassis.
6. Insert front grille and, where necessary, re-adjust the height-adjustable holding magnets.