

## B 12 B Subwoofer



### Description

---

High-power subwoofer with high sound pressure and easy-to-handle cabinet. The precisely matched double-chamber band-pass subwoofer with 12" long excursion chassis has a wide frequency range of 35 ... 140 Hz and permits unproblematic coupling to satellite loudspeakers with crossover frequencies between 80 Hz and 150 Hz.

Universal application in club and PA systems, especially in combination with our full-range loudspeakers F 8, F 10, F 12 and F 208 AIArray® as well as the line-array loudspeakers ZL 206.

### Special Features

---

- Band-pass subwoofer
- Compact cabinet
- 12" long excursion chassis
- Power capacity 1000 watts
- High sound pressure

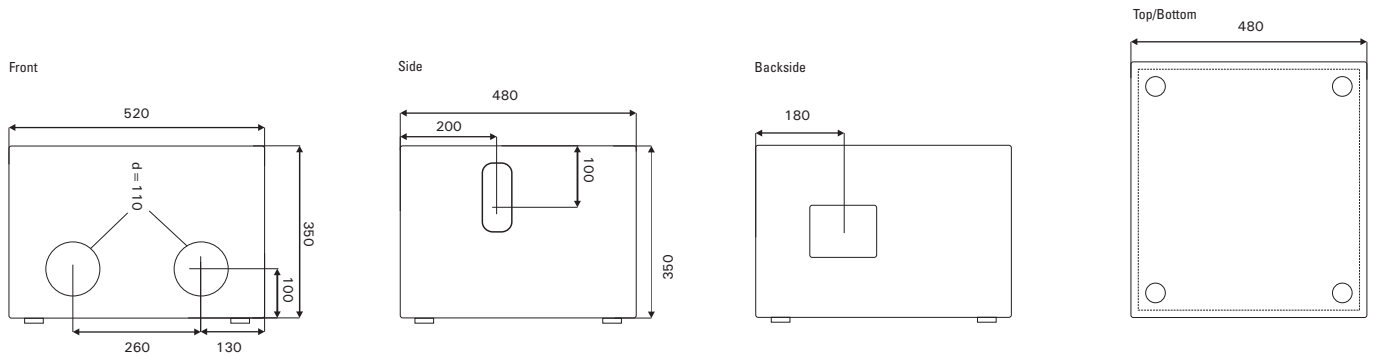
### Fields of Application

---

- Media rooms
- Gastronomy
- Clubs, discotheques
- Mobile systems
- Large rooms, halls

# B 12 B Subwoofer

## Dimensions B 12 B



## Technical Data

Principle	Band-pass subwoofer
Components	12" long excursion woofer
Frequency range	35 ... 140 Hz, 40 ... 118 Hz (+/- 3 dB)
Impedance	8 ohms
Power capacity	RMS 500 watts, program 1000 watts
Sound pressure	92 dB (1W/1m), max. 122 dB 97 dB (1W/1m), max. 127 dB (half-space)
Dispersion angle (H x V)	360°
Dimensions (W x H x D)	520 x 350 x 480 mm (without rubber feet)
Weight	21 kg
Cabinet	Multiplex cabinet, grip plates lateral
Connections	2 x speakon NL 4 MP
Warranty	5 years

## Model

## Order-No.

## Version

<b>B 12 B Black</b>	1422-0001	RAL 9005, textured paint, black
---------------------	-----------	------------------------------------

Other colours and models on request

## Measuring Diagramm

Frequency response B 12 B 1W/1m (full-space)

