



DE-X 200 H Polar / DE-X 200 HQ Polar Trimless In-Wall/In-Ceiling Speaker



Description

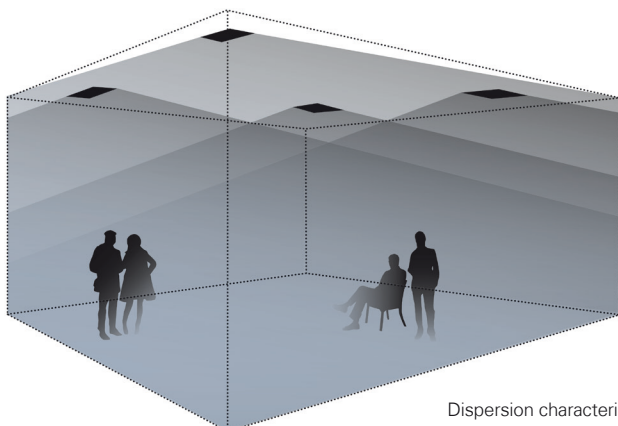
Trimless, flush-mounted, high-end built-in speaker with Polar® technology for ceilings and walls. The DE-X 200 H Polar has the optimum omnidirectional behavior typical of Polar® speakers and the precise tonal synchronization of the 6.5"/1" system with an elaborate crossover – all of which ensures clear music reproduction even at high volumes. The DE-X 200 H Polar is used in home audio systems and in professional public address systems where outstanding sound quality and uniform sound distribution are a must. The DE-X 200 H Polar comprises four parts (assembly frame, speaker unit, crossover and front grille) and is installed from the front through the installation opening.

Special Features

- Very unobtrusive appearance (only the flush-mounted front grille is visible)
- Small dimensions and installation depth
- 2-way system with Polar® technology
- 180° dispersion
- Perfect sound distribution with small number of loudspeakers
- Very linear frequency response
- High efficiency
- 6.5" woofer + 1" dome tweeter
- 160 watts power capacity
- Round or square
- Moisture proof

Fields of Application

- Clubs, discotheques
- Conference rooms
- Exhibitions, trade fairs
- Gastronomy, hotels
- Home audio
- Shops, sales rooms
- Surround systems

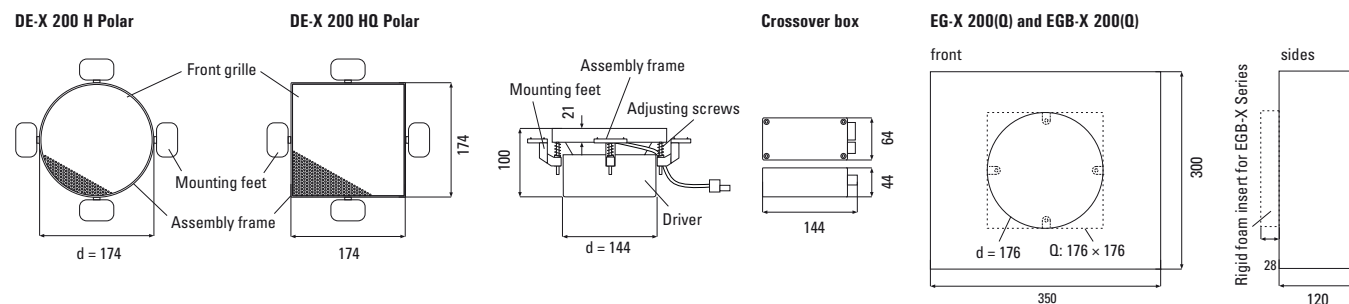


Dispersion characteristic
DE-X Polar Speaker (In-ceiling installation)

DE-X 200 H Polar / DE-X 200 HQ Polar

Trimless In-Wall/In-Ceiling Speaker

Dimensions



Technical Data

Principle	2-way speaker with Polar® technology and crossover in external box
Components	6,5" woofer + 1" dome tweeter
Frequency range	58 Hz – 21 kHz
Impedance	8 ohms
Power capacity	RMS 80 watts, programm 160 watts
Sensitivity	88 dB (1 W @ 1 m), half-space (flush-mounted)
Maximum SPL	110 dB @ 1 m
Nominal dispersion	180°
Front grille	Precision steel grille with magnetic fastening, adjustable for flush-mounting
Front grille size	DE-X 200 H Polar: Ø 170 mm DE-X 200 HQ Polar: 170 x 170 mm
Cutout size	DE-X 200 H Polar: Ø 176 mm DE-X 200 HQ Polar: 176 x 176 mm
Wall/ ceiling thickness	6 – 30 mm
Installation depth	100 mm
Weight	2.1 kg
Connectors	Screw type terminals, pluggable
Warranty	5 years






Model

Version

DE-X 200 H Polar	Round, RAL 9016
DE-X 200 HQ Polar	Square, RAL 9016

Other colours and models on request

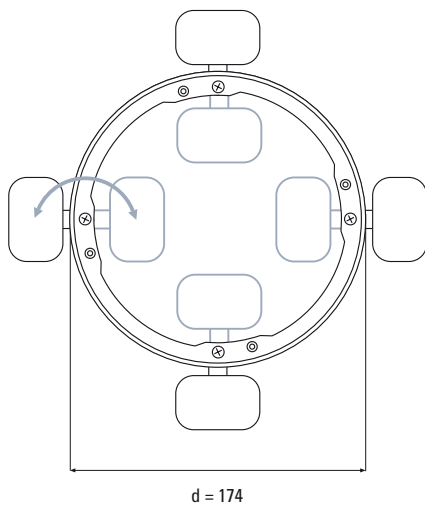
Accessories

EG-X 200		Back box Dim.: 350 x 300 x 120 mm
EG-X 200 Q		Square, Back box Dim.: 350 x 300 x 120 mm
EGB-X 200		Back box for concrete Dim.: 350 x 300 x 120 mm
EGB-X 200 Q		Square, back box for concrete Dim.: 350 x 300 x 120 mm
DE-X Tool		Magnetic holder for effortless insertion and removal of DE-X grille

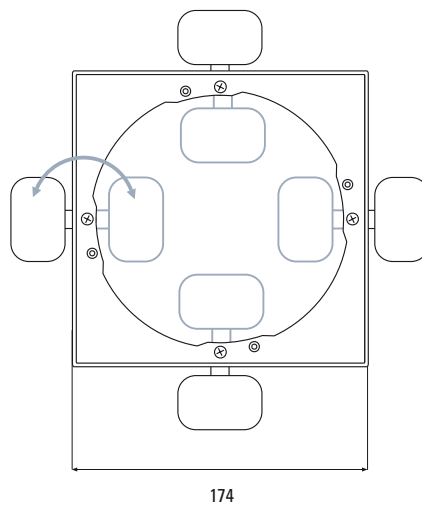
DE-X 200 H Polar / DE-X 200 HQ Polar Trimless In-Wall/In-Ceiling Speaker

Assembly frame with adjustable mounting feet

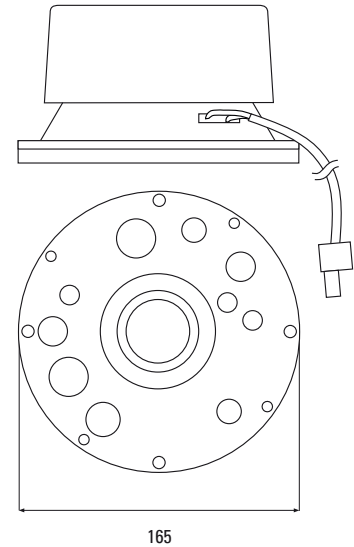
DE-X 200 H Polar



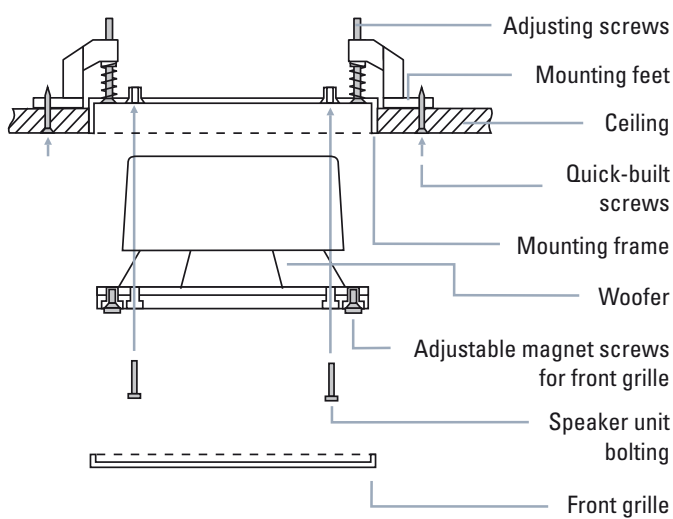
DE-X 200 HQ Polar



Speaker unit



Assembly (In-Ceiling)



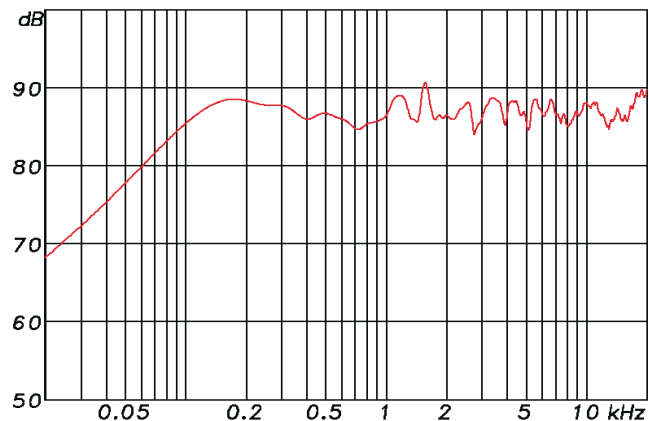
Installation steps:

1. Slice cut out size in drywall surface (in solid walls / ceilings insert built-in cabinet of the EG series)
2. Insert assembly frame with mounting feet and swivel mounting feet outwards
3. To fasten, screw the quick-build screws through the wall into the mounting feet
4. Adjust assembly frame with adjusting screws until flush, plaster and paint
5. Connect and insert speaker unit and crossover
6. Insert front grille and, where necessary, re-adjust the height-adjustable holding magnets

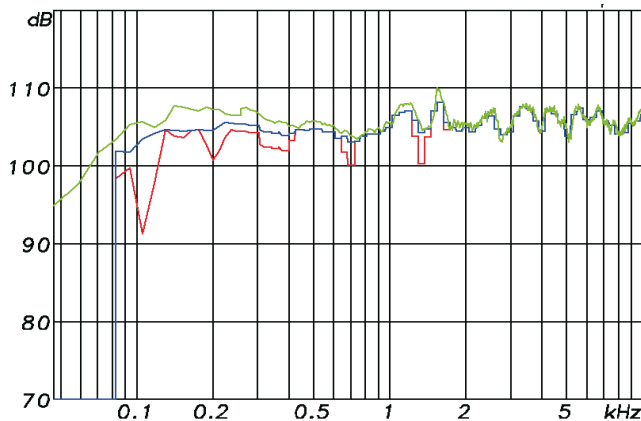
DE-X 200 H Polar / DE-X 200 HQ Polar Trimless In-Wall/In-Ceiling Speaker

Diagrams

DE-X 200 H Polar Sens. 2.83 V/1m: 87 dB (100-10k) 66 Hz - 20 kHz (-6 dB) half space



DE-X 200 H Polar max. SPL @ 3% and 10% distortion threshold 80 W max. power



DE-X 200 H Polar half space directivity plot

