

## ZL 100 Line Array Speaker

### Description

The ZL 100 is a highly focused speaker array for targeted acoustic irradiation over a long throw in large rooms and halls. The ZL 100 is also often used in exhibitions and presentations – in conjunction with monitors and projection screens – to create a very narrow path of sound.

To do this, multiple ZL 100 and ZL 50 devices can be connected to create the desired width of the sound path.

Twelve highly efficient, extremely linear 2.5" full-range speakers with precise electronic frequency response linearization can be used to achieve excellent reproduction characteristics for clear speech and maximum directivity.

Thanks to its modular design, the ZL 100 can be combined with other models from the ZL series to create longer arrays. We recommend using the SUB 20 or SUB 40 subwoofers to supplement the low frequency range.

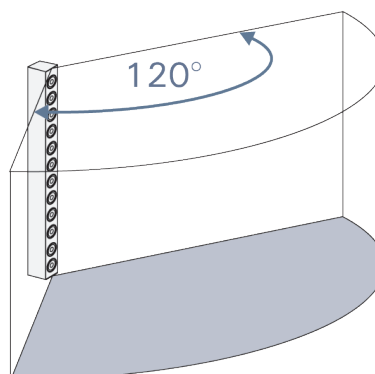


### Key Features

- Sharply focused line array
- $120^\circ \times 10^\circ$  nominal dispersion
- $12 \times 2.5''$  fullrange speakers with phase plug
- Very linear frequency response
- 360 watts power capacity
- 8 ohm or 100 V versions
- Modular aluminium cabinet

### Fields of Application

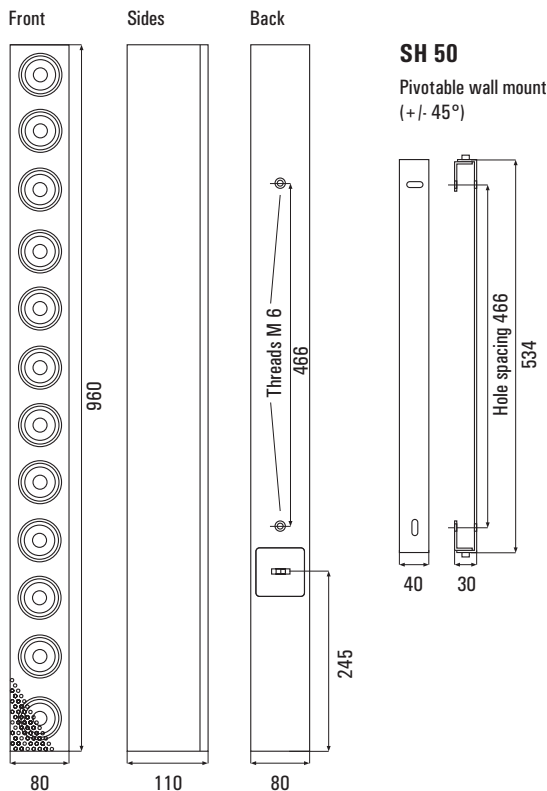
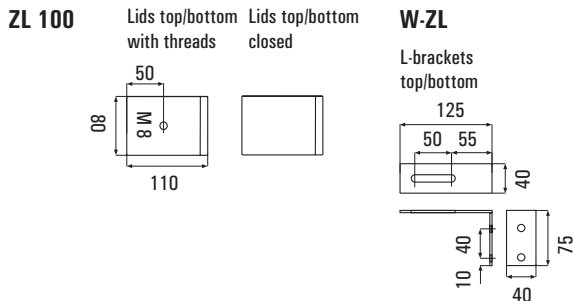
- Churches
- Concert halls, theatres
- Exhibitions, trade fairs
- Large rooms, halls
- Mobile systems
- Museums



Radiation characteristics

# ZL 100 Line Array Speaker

## Dimensions



Front without grille



Connector



W-ZL  
L-bracket

## Technical Data

Principle	Line array with 12 full-range drivers
Components	12 × 2.5" long excursion full-range speakers with phase plug and neodymium magnet system
Frequency range	120 Hz – 20 kHz
Impedance	8 ohms
Power capacity	180 watts RMS, 360 watts program
Sensitivity	92 dB (1 W @ 1 m)
Maximum SPL	115 dB @ 1 m 100 V version: 109 dB @ 1 m
Nominal dispersion (H × V)	120° × 10°
Dimensions (W × H × D)	80 × 960 × 110 mm
Weight	4.8 kg
Cabinet	Aluminium, powder coated, front metal grille, lid closed or optionally threaded inserts M 8 on top/ below (Please specify bracket type when placing your order)
Connections	Screw-type terminals, pluggable
Warranty	5 years

Model	Order-No.	Version
ZL 100 White	1003-0001	RAL 9016
ZL 100 Black	1003-0002	RAL 9005
ZL 100 T White	1003-0003	100 V version
ZL 100 T Black	1003-0004	Power 15/30/60 watts

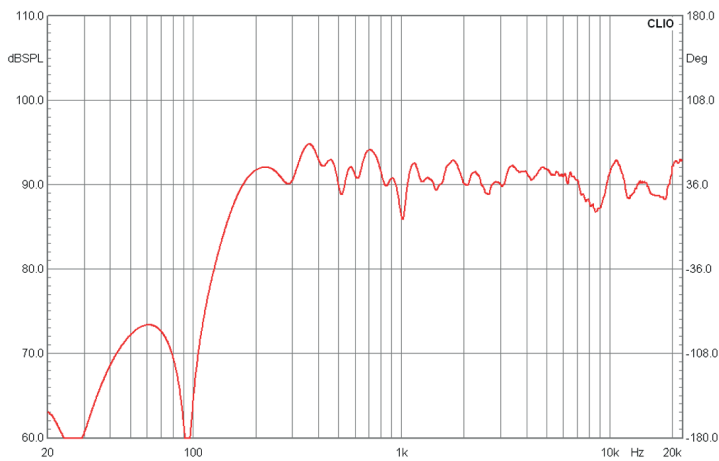
Other length and colours on request

Accessories	Order-No.	Version
W-ZL White	7110-0005	L-bracket (pair)
W-ZL Black	7110-0006	
SH 50 White	7110-0003	Wall mount
SH 50 Black	7110-0004	(+/- 45°)

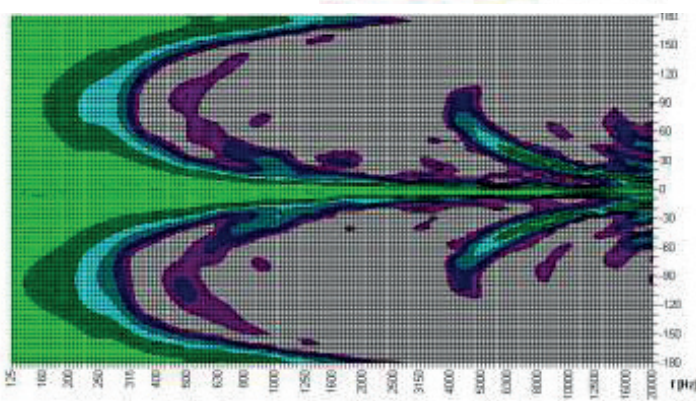
# ZL 100 Line Array Speaker

## Measuring Diagrams

ZL 100 Sens. @ 2.83 V/1m, d=4m



ZL 100 hor. directivity plot



ZL 100 vert. directivity plot

