

ZL 108 Line Array Speaker with 120° × 40° Nominal Dispersion

Description

The ZL 108 is a line array speaker offering outstanding sound with a dispersion angle of 120° × 40° optimized for short to medium listening distances. It is used as a main speaker in high-quality home audio systems and as a front speaker in media rooms for listening distances of up to approx. 10 m. It can be used as a floor-standing speaker or mounted on the wall.

It can be operated both as a floor-standing and as a wall-mounted speaker. Through the employment of 9 very linear 2.5" full-range speakers plus a sophisticated 3-way crossover. This gives it a wide, linear frequency range and enables accurate, dynamic music reproduction. The ZL 108 can also reproduce speech very clearly, even in rooms with long reverberation times.

Thanks to its modular design, the ZL 108 can be combined with other models in the ZL series to create long arrays with corresponding directional characteristics for large rooms. We recommend using SUB 20 and SUB 40 subwoofers to enhance the low frequency range.

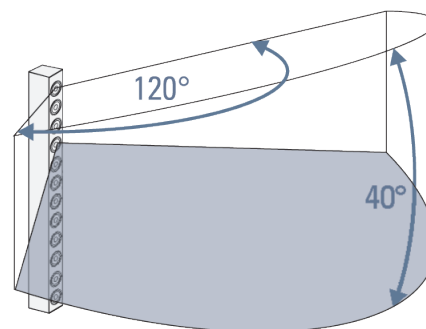


Key Features

- Line array speaker
- 120° × 40° nominal dispersion
- Very linear frequency range
- 280 watts power capacity
- 8 ohms or 100 V versions
- Modular aluminium cabinet

Fields of Application

- Conference rooms
- Gastronomy, hotels
- Home audio
- Mobile systems
- Surround systems

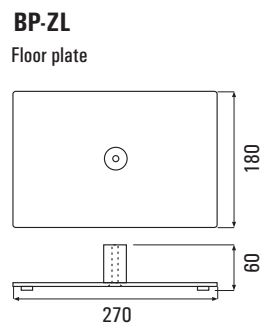
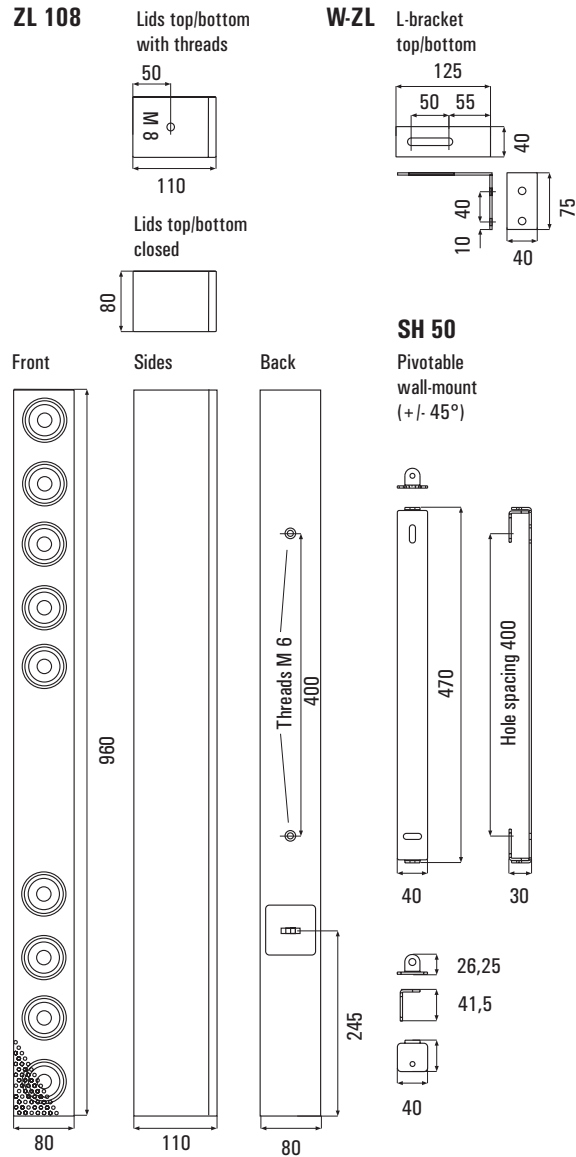


Directional characteristics
Acoustic center 80 cm from bottom

ZL 108

Line Array Speaker with 120° × 40° Nominal Dispersion

Dimensions



Technical Data

Principle	Line array with passive 3-way technology
Components	9 × 2.5" long excursion full-range drivers with phase plugs
Frequency range	80 Hz – 24 kHz
Impedance	8 ohms
Power capacity	140 watts RMS, 280 watts program
Sensitivity	90 dB (1 W@1 m)
Maximum SPL	113 dB @1 m, 100 V version: 108 dB @1 m
Nominal dispersion (H × V)	120° × 40° acoustic center 80 cm from bottom
Dimensions (W × H × D)	80 × 960 × 110 mm
Weight	4.3 kg
Cabinet	Aluminium, powder coated, front precision steel grille, lids closed or with threaded inserts M8 (Please specify bracket type when placing your order)
Connectors	Screw-type terminals, pluggable
Warranty	5 years

Model	Order-No.	Version
ZL 108 White	1005-0001	RAL 9016
ZL 108 Black	1005-0002	RAL 9005
ZL 108 T White	1005-0003	100 V version,
ZL 108 T Black	1005-0004	Power 15/30/60 watts

Other length and colours on request

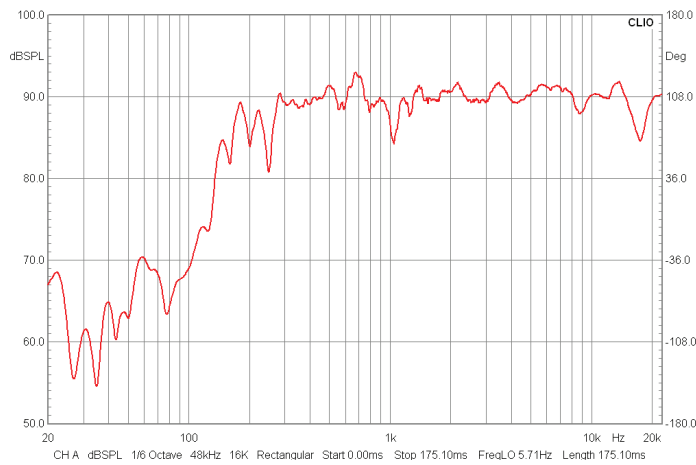
Accessories	Order-No.	Version
W-ZL White	7110-0005	L-bracket (pair)
W-ZL Black	7110-0006	
SH 50 White	7110-0003	Wall mount
SH 50 black	7110-0004	(+/- 45°)

ZL 108

Line Array Speaker with 120° × 40° Nominal Dispersion

Measuring Diagram

ZL 108 Sens. @ 2.83 V/1m, d=4m



Front without grille



Connectors



W-ZL
L-Bracketb